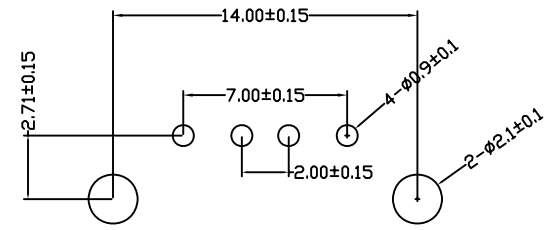
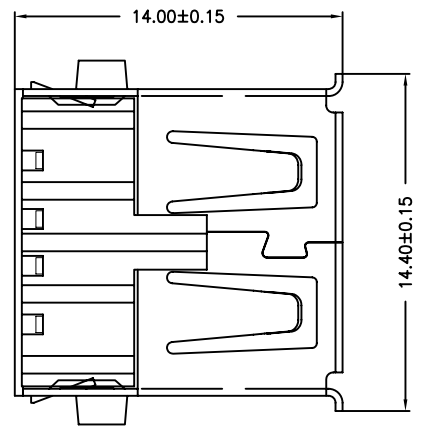
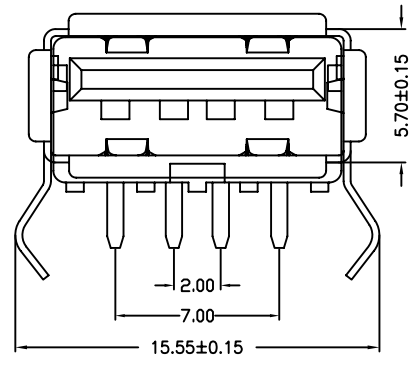
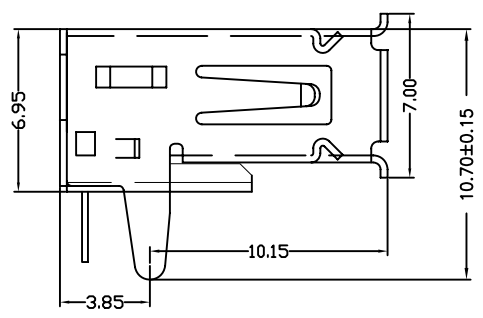


| | | | | | | | | | | |
|---|---|---|---|---|---|------------|----------------------|------------|----|--|
| 1 | 2 | 3 | 4 | 5 | 6 | 7 | 8 | 9 | 10 | |
| | | | | | | 目錄 MAPX | 設變內容 MODIFICATION | 日期 DATE | | |



RBCOMMENDBD P.C.B PATTBRN LAYD UT

备注：侧弹分为外弹与内弹

NOTES:
Housing: Thermoplastics,UL94V-0
Contact: Copper Alloy
Shell: Copper Alloy/Steel
Voltage Current Rating:1.5 AMP. 30V AC
Insulation Resistance:1000MΩ Min.
Contact Resistance:30 MΩ Max.
Dielectric Withstanding Voltage:500W AC
Temperature Range:-35°C to +85°C
Insulator color: Black/White
Plastic material:PBT/LCP/Others
Shell finish:Nickel plated/Tin-Lead plated
Mechanical:
Mating Force:3.5KG MAX
Unmating Force:0.7 KG MIN.
Contact finish:
01:Selective Gold Flash
02:Selective Gold 3U"
03:Selective Gold 5U"
04:Selective Gold 15U"
05:Selective Gold 30U"

| | | | | | | | | | |
|-------------------------------------|-------|--------------|-------|-------------|------------|---------------|-------|--------------------------|---------------|
| 产品图 PRODUCT CHART DWG | | 深圳市精拓金电子有限公司 | | | | | | | |
| 公差一览表 TOLERANCE UNLESS OTHERWISE | | | | 单位 UNITS | MM | 制图 DRAWING | Z-Y-B | 产品料号 PROJECT PART NO. | JTJ-USB-AF-08 |
| X. | ±0.25 | X' | ±5' | 比例 SCALE | 1:1 | 审核 CHKD | 雷永键 | 产品名称 PRODUCT NO. | USB-AF内扣弯脚 |
| .X | ±0.20 | .X' | ±2' | 日期 DATE | 2009/10/20 | 核准 APPD | 雷永键 | 角法 VIEW | |
| .XX | ±0.15 | .XX' | ±1' | | | | | 版本 VER | A0 |
| .XXX | ±0.10 | .XXX' | ±0.5' | | | | | | |