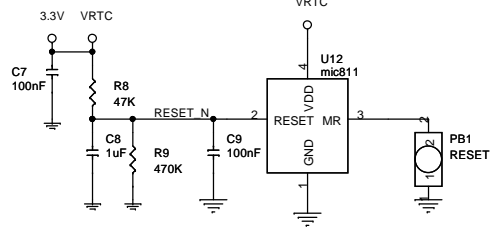
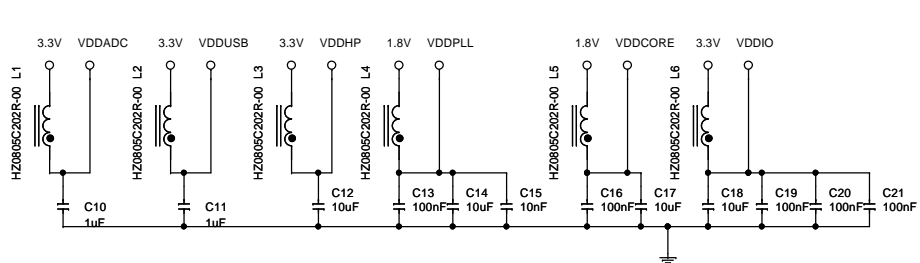


JZ4725

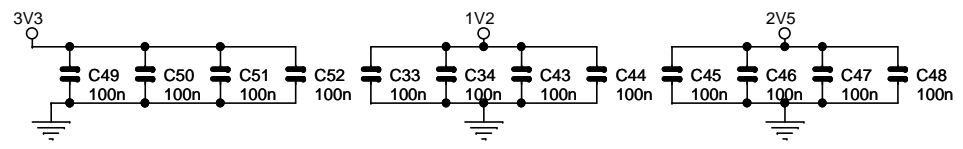
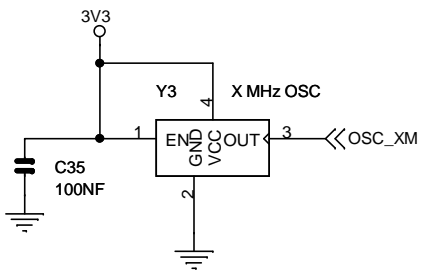
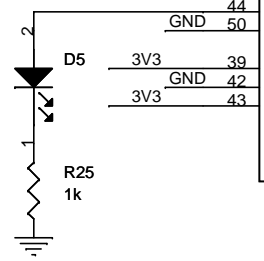
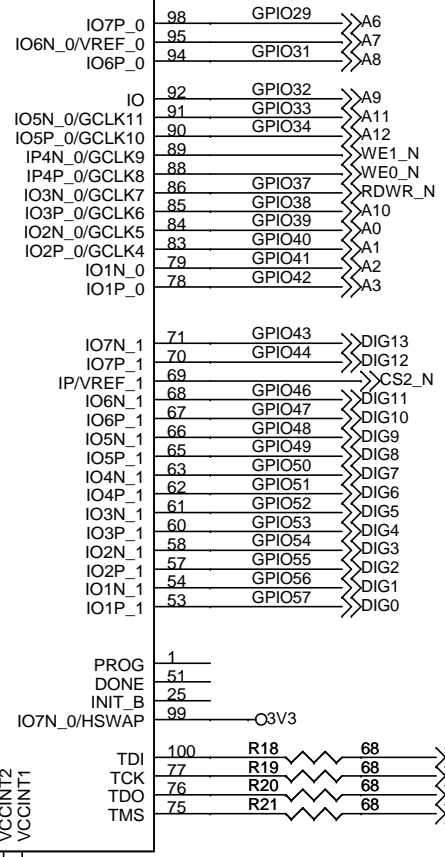
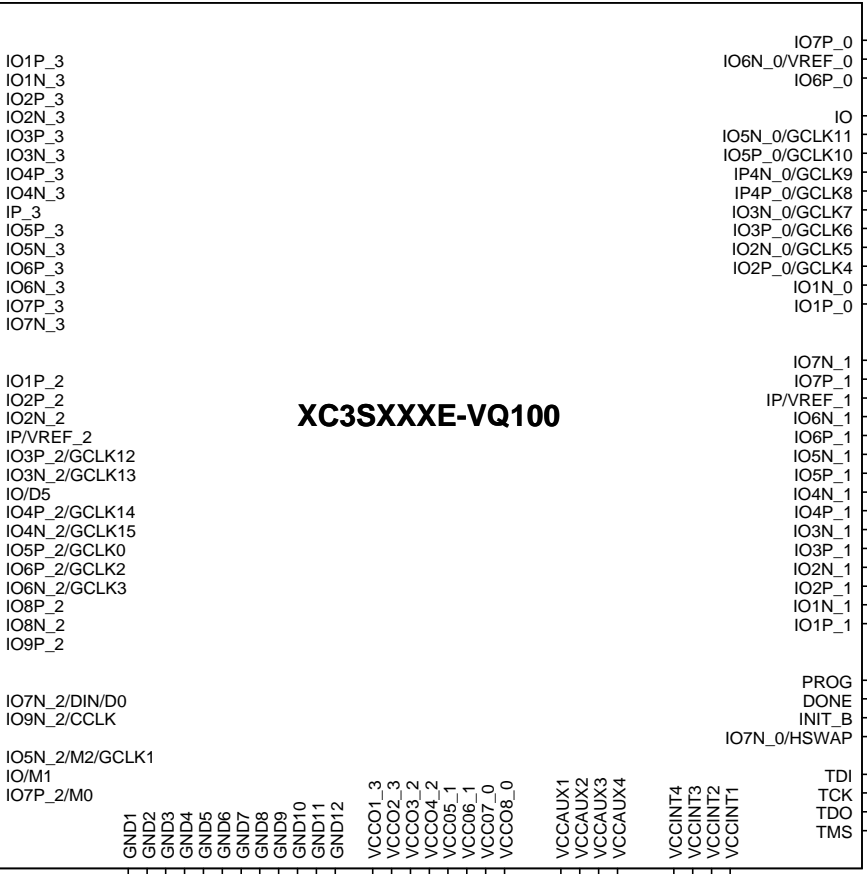
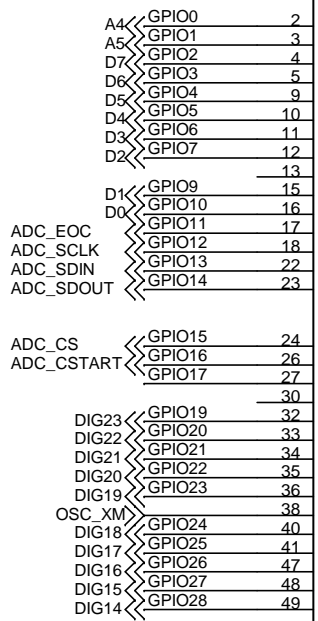


Don't mount R8, C8, C9 if U12 is mounted.
If U12 is not mounted place a 0 ohm resistor between pin 2 and 3 of U12

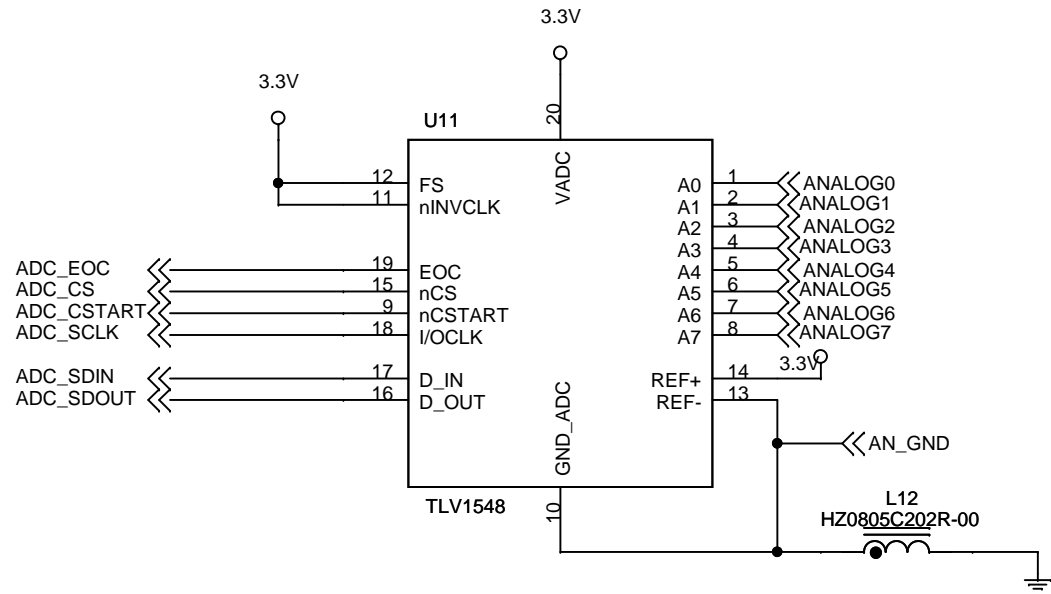
Designer: Carlos Camargo		
Title		SAKC BOARD: CPU
		License type: CC-BY-SA
Size	Document Number	Rev 1
Date:	Wednesday, February 03, 2010	Sheet 1 of 7

U9

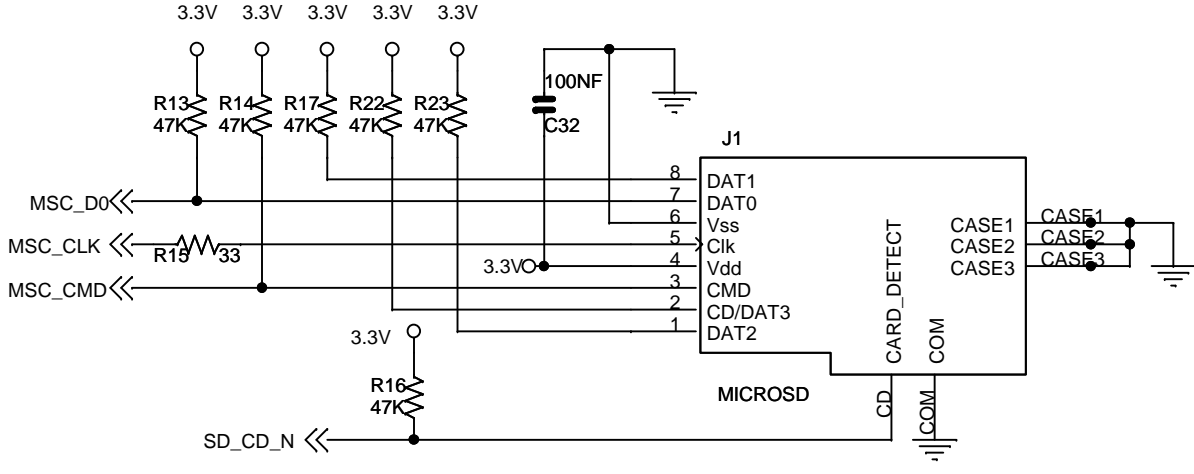
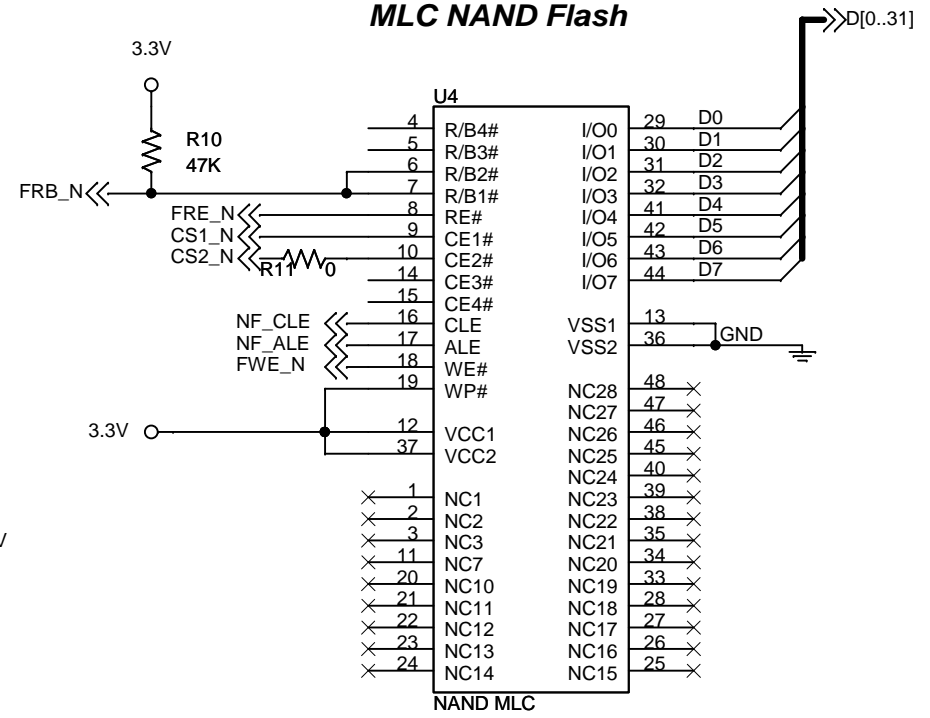
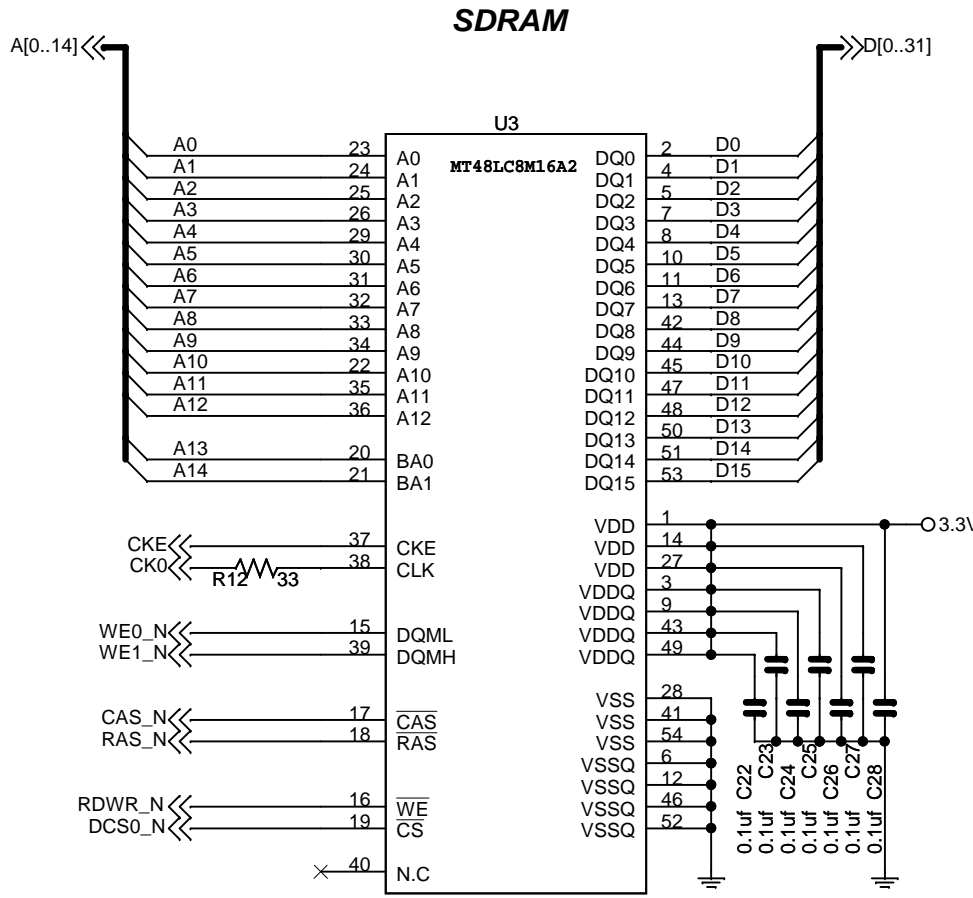
XC3SXXXE-VQ100



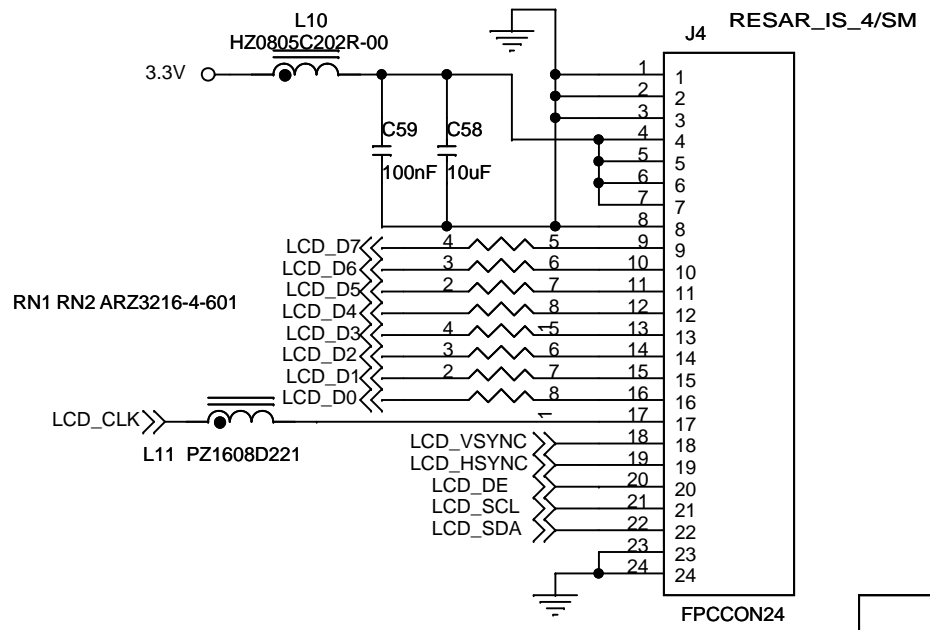
Designer: Carlos Camargo		
Title		License type: CC-BY-SA
Size	Document Number	Rev 1
Date:	Wednesday, February 03, 2010	Sheet 1 of 1



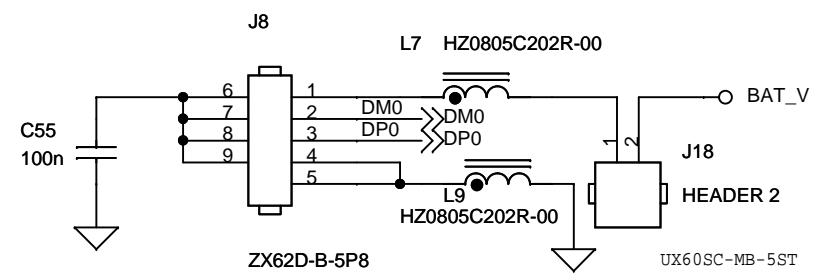
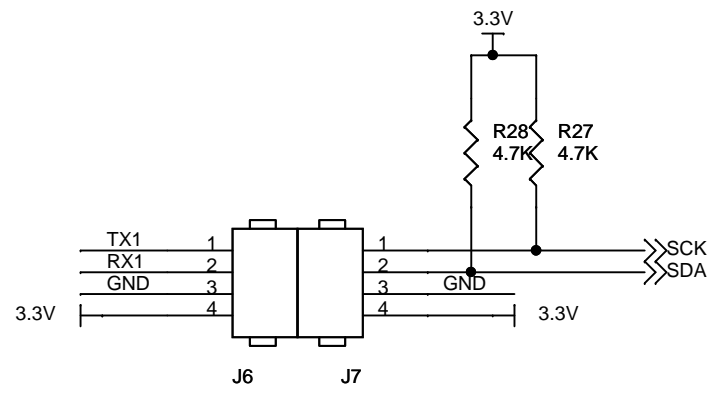
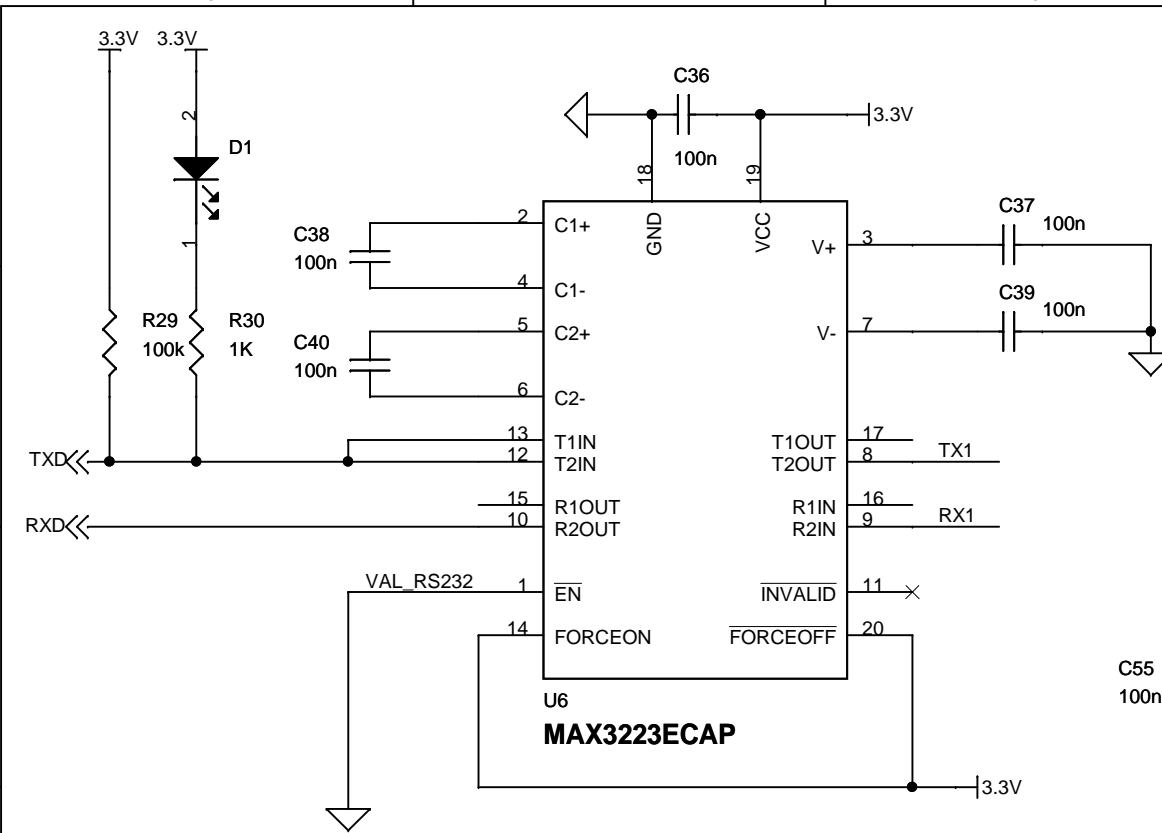
Designer: Carlos Camargo		
Title		License Type: CC-BY-SA
SAKC BOARD: A/D Converter		
Size	Document Number	Rev 1
Date:	Wednesday, February 03, 2010	Sheet 1 of 1



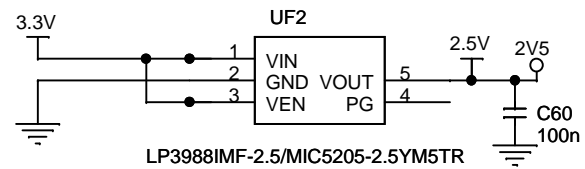
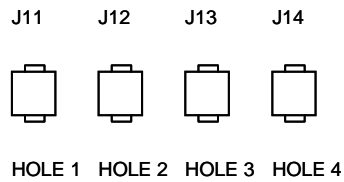
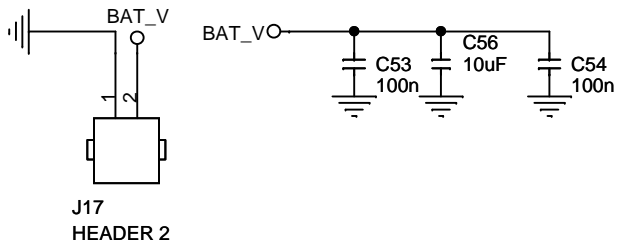
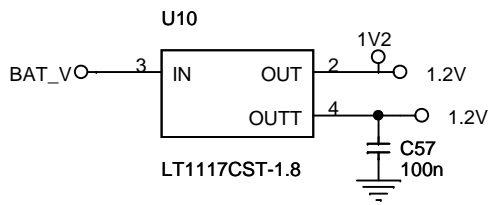
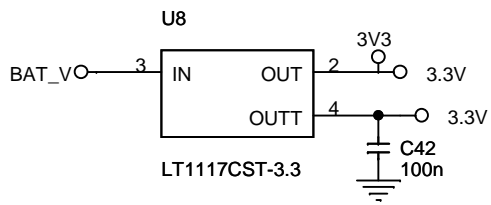
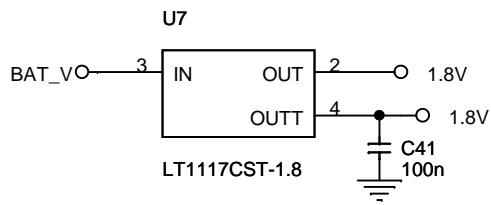
Designer: Carlos Camargo			
Title		SAKC BOARD: Memory	License type: CC-BY-SA
Size A	Document Number		Rev 1
Date:	Wednesday, February 03, 2010	Sheet	2 of 7



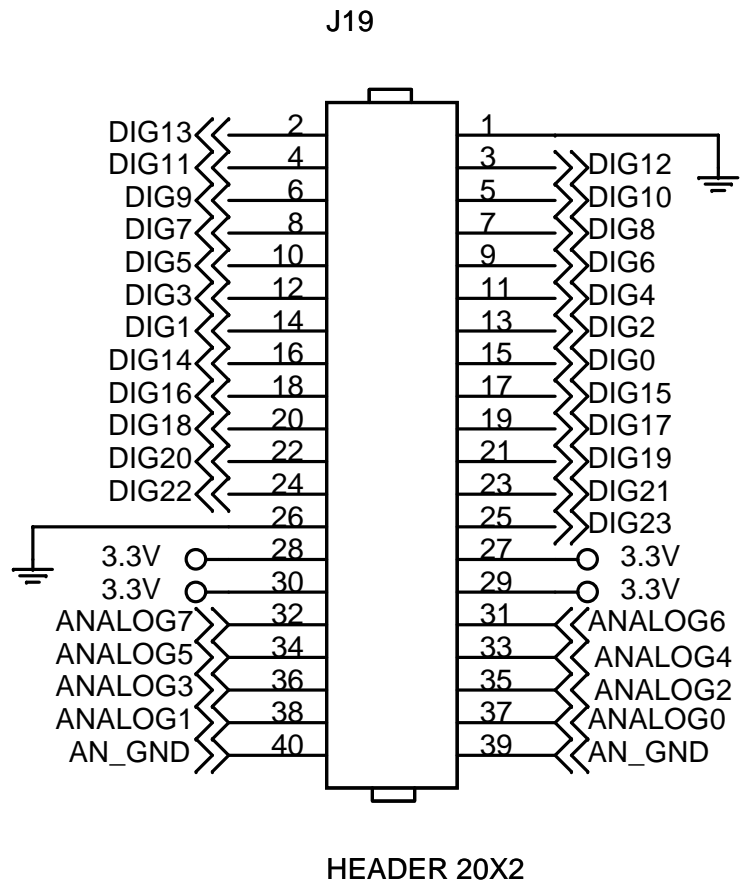
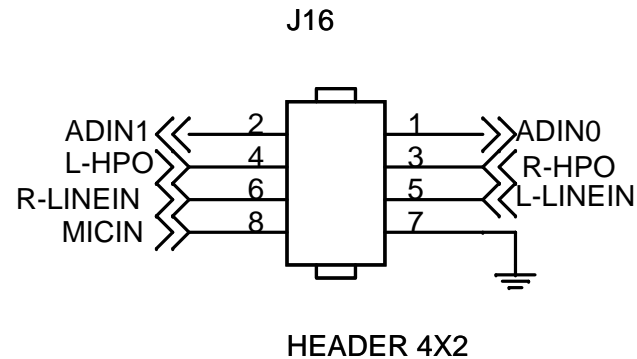
Designer: Carlos Camargo			
Title		SAKC BOARD: LCD	License type: CC-BY-SA
Size	Document Number		Rev 1
Date:	Wednesday, February 03, 2010	Sheet	4 of 7



Designer: Carlos Camargo		
Title		License type: CC-BY-SA
SAKC BOARD: UART/USB/I2C		
Size	Document Number	Rev 1
Date:	Wednesday, February 03, 2010	Sheet 5 of 7



Designer: Carlos Camargo		
Title		License Type: CC-BY-SA
SAKC BOARD: Power Supply		
Size	Document Number	Rev 1
Date:	Wednesday, February 03, 2010	Sheet 6 of 7



Designer: Carlos Camargo

Title SAKC BOARD: Connectors License Type: CC-BY-SA

Size	Document Number	Rev 1
------	-----------------	----------

Date: Wednesday, February 03, 2010 Sheet 7 of 7