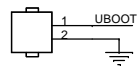
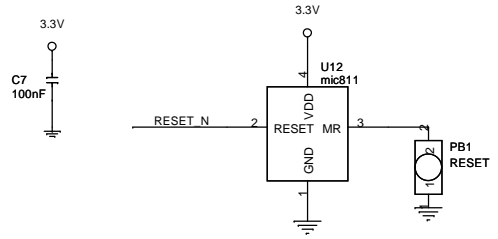
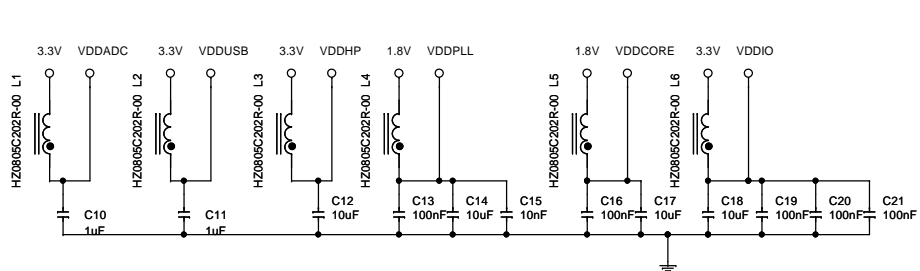


JZ4725

J15

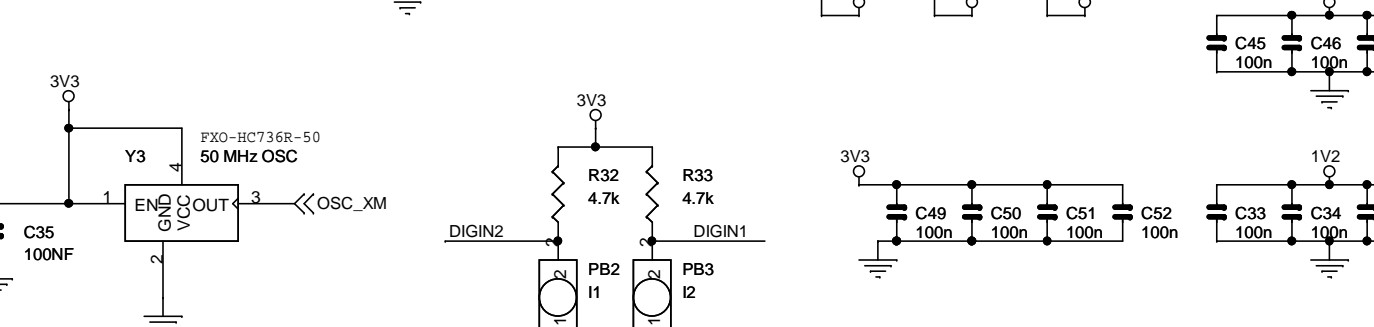
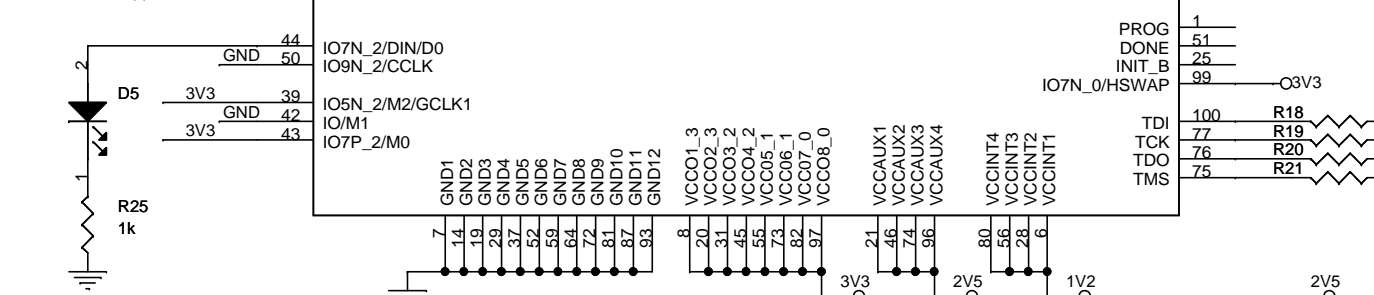
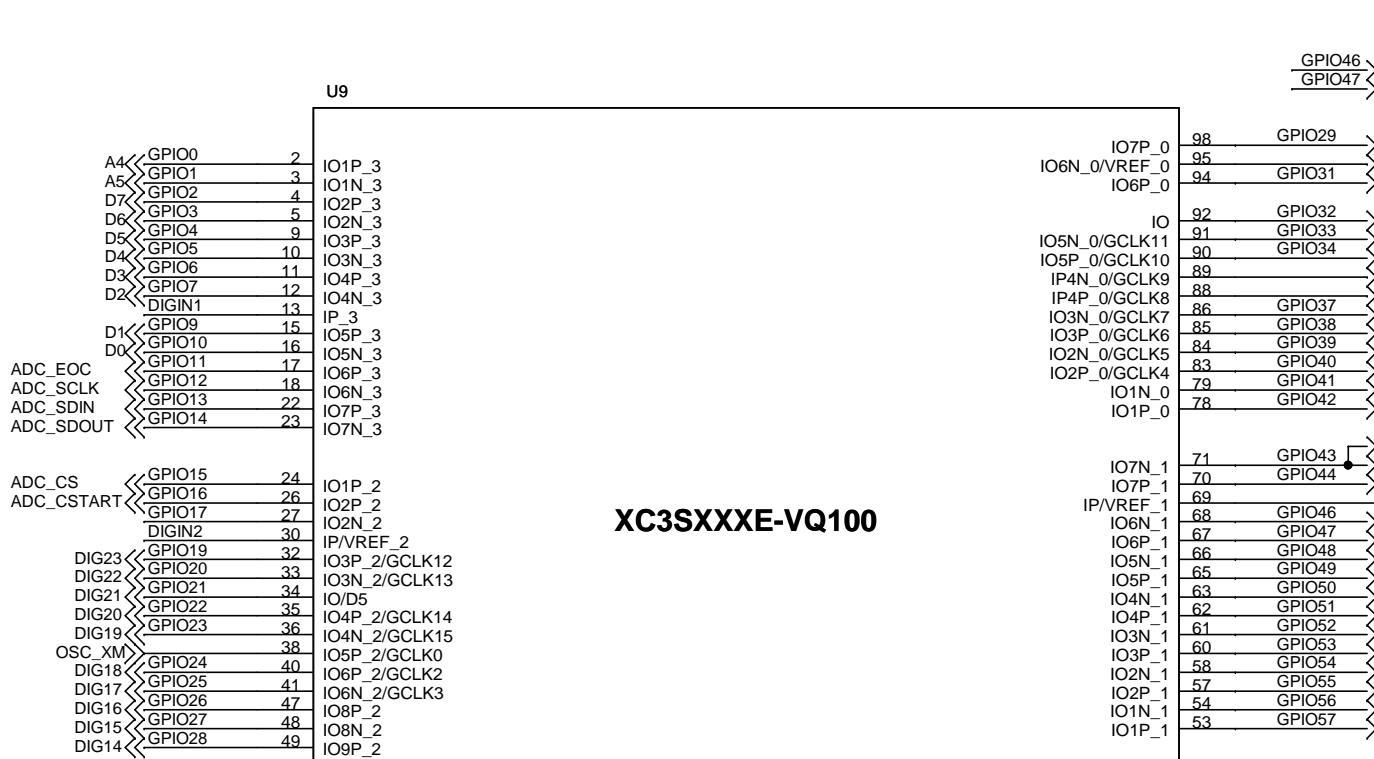


HEADER 2

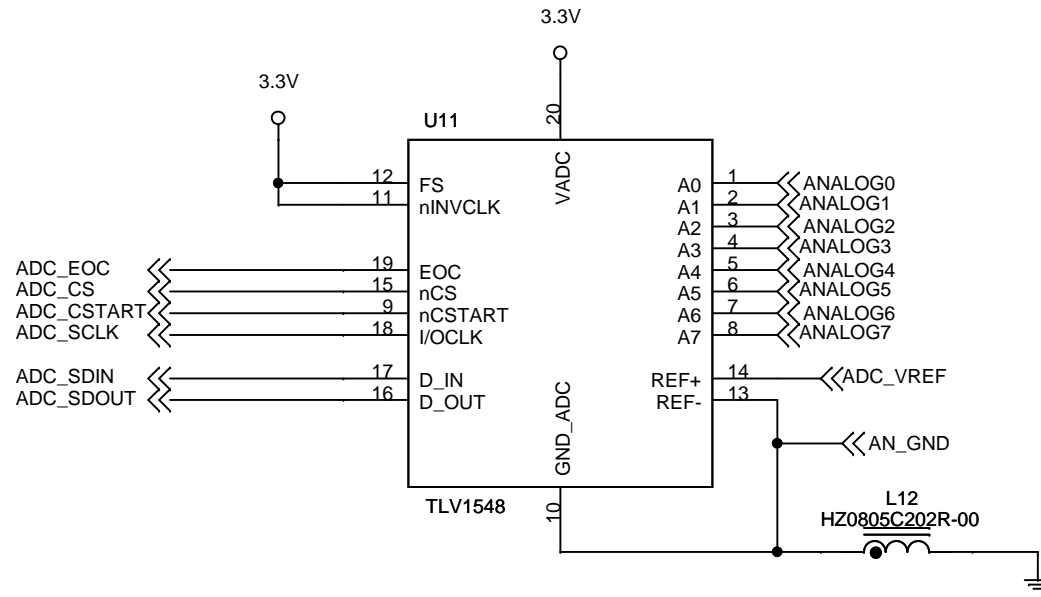


Don't mount R8, C8, C9 if U12 is mounted.
If U12 is not mounted place a 0 ohm resistor between pin 2 and 3 of U12

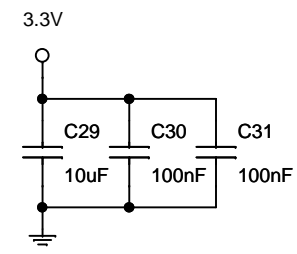
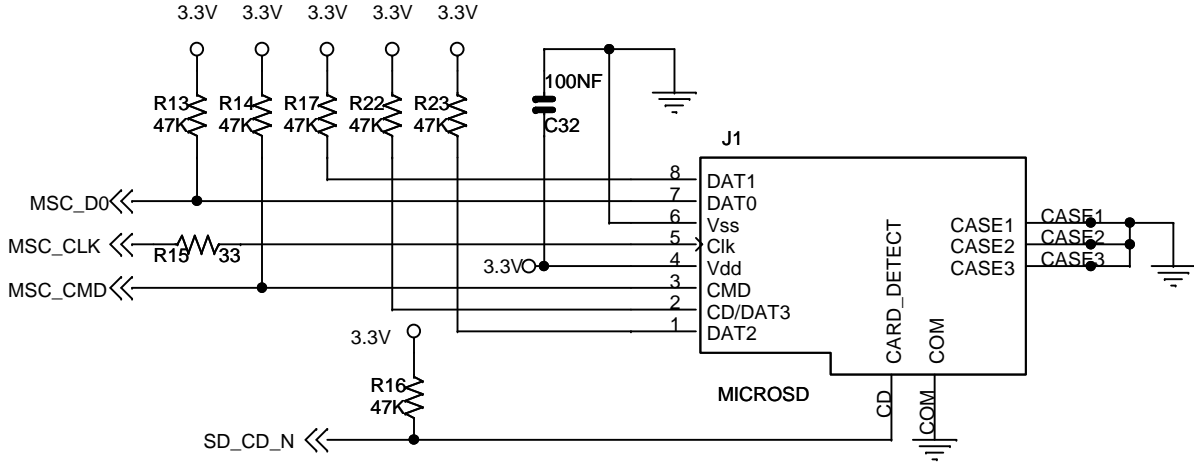
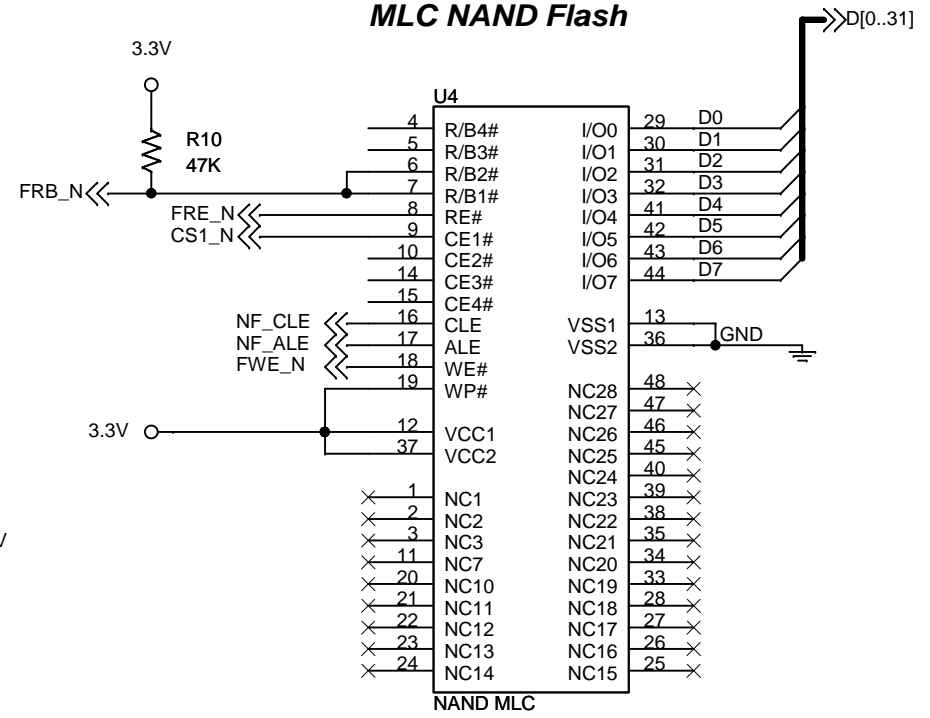
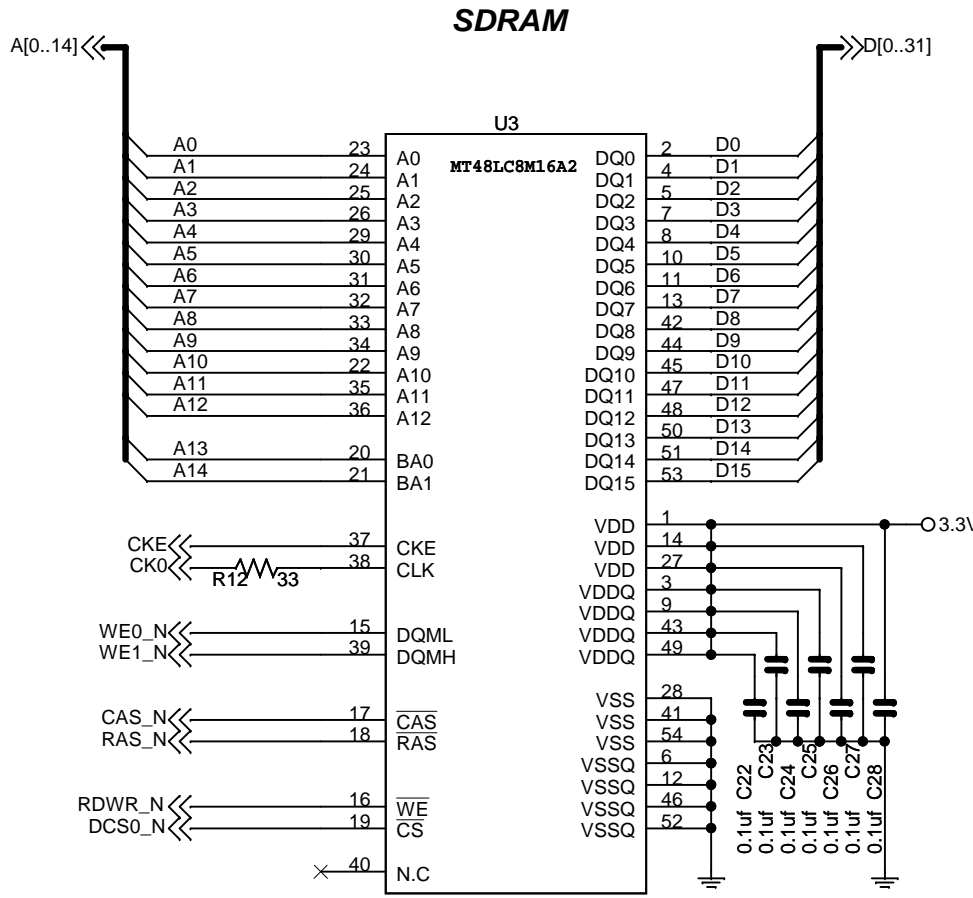
Designer: Carlos Camargo		
Title		SAKC BOARD: CPU
		License type: CC-BY-SA
Size	Document Number	Rev 1
Date:	Wednesday, July 28, 2010	Sheet 1 of 7



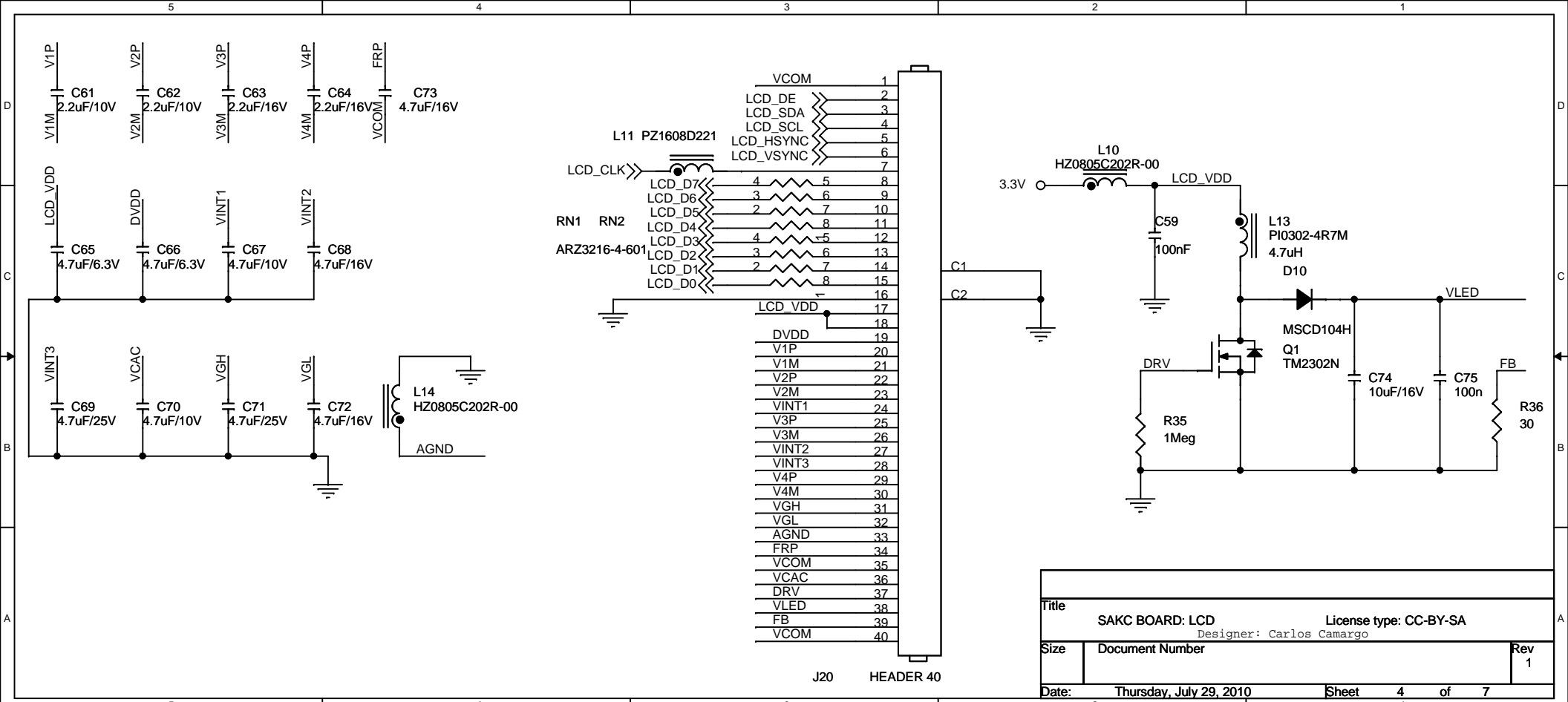
Designer: Carlos Camargo			
Title		License type: CC-BY-SA	
Size	Document Number		Rev 1
Date:	Wednesday, July 28, 2010	Sheet	1 of 1



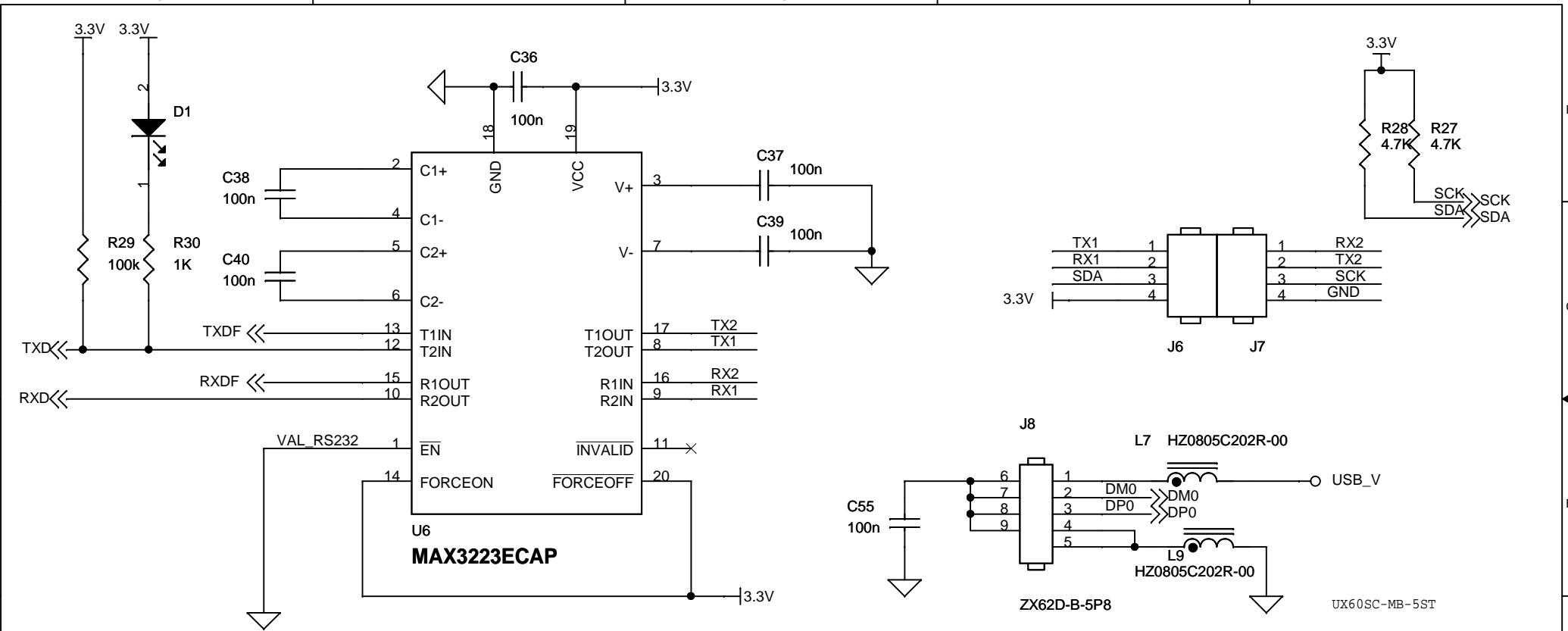
Designer: Carlos Camargo	
Title	
SAKC BOARD: A/D Converter	
License Type: CC-BY-SA	
Size	Document Number
	Rev 1
Date:	Friday, May 14, 2010
Sheet	1 of 1



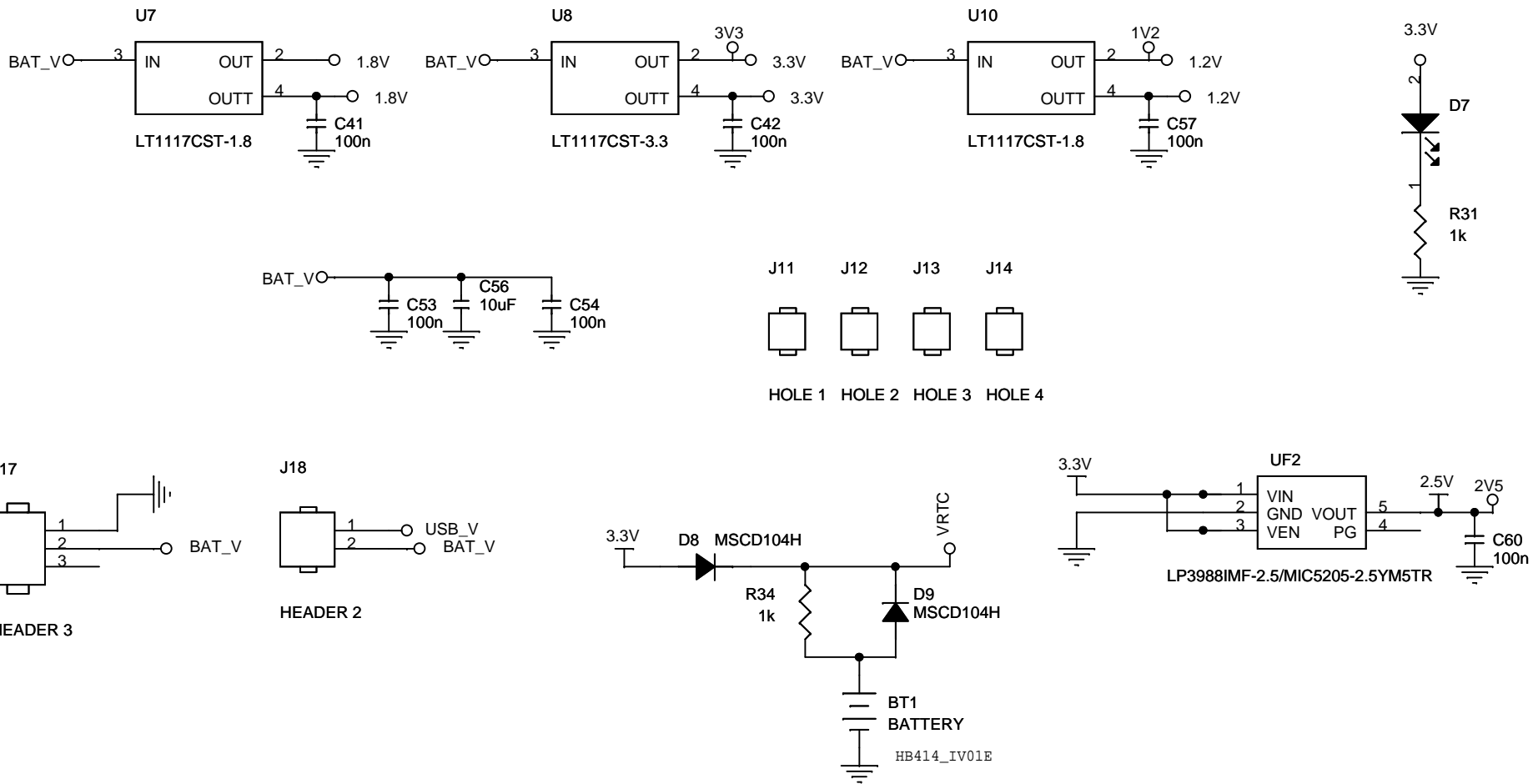
Designer: Carlos Camargo		
Title		SAKC BOARD: Memory
		License type: CC-BY-SA
Size	Document Number	Rev
A		1
Date:	Friday, May 14, 2010	Sheet 2 of 7



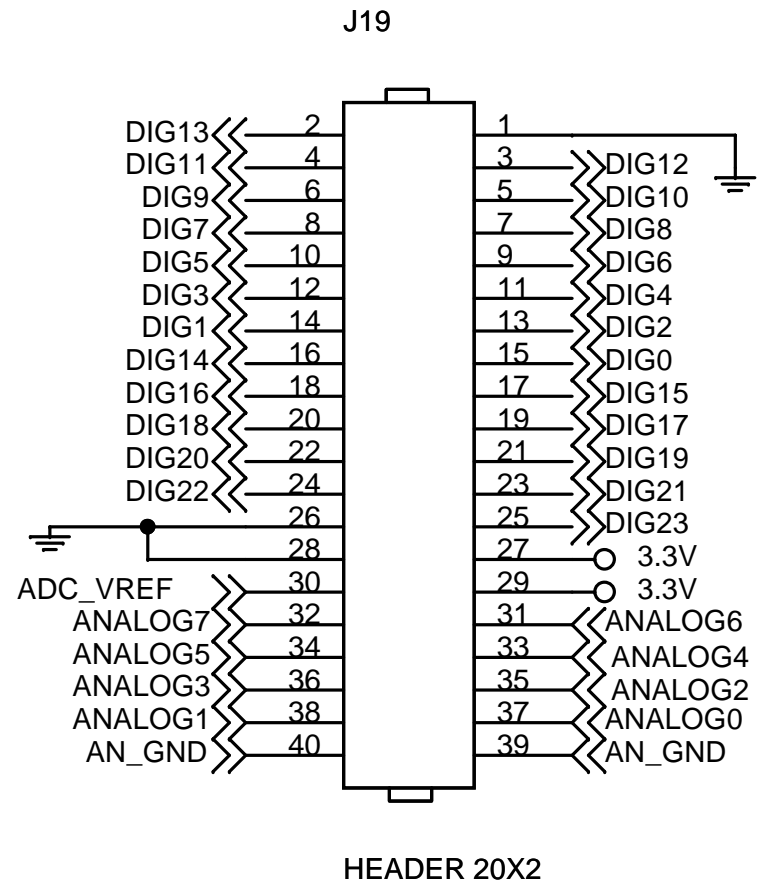
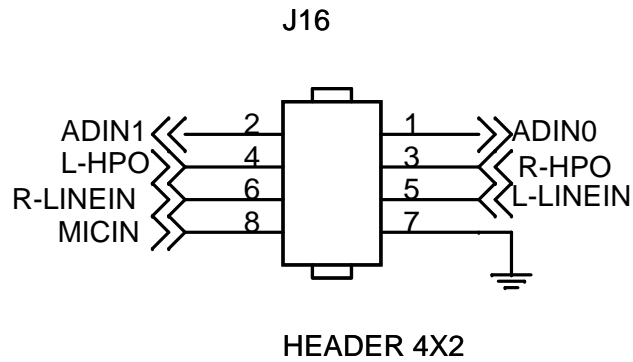
Title		SAKC BOARD: LCD		License type: CC-BY-SA	
Size		Document Number			Rev
Date:		Thursday, July 29, 2010		Sheet	4 of 7



Designer: Carlos Camargo		
Title		License type: CC-BY-SA
Size	Document Number	Rev 1
Date:	Wednesday, July 28, 2010	Sheet 5 of 7



Designer: Carlos Camargo		
Title		License Type: CC-BY-SA
SAKC BOARD: Power Supply		
Size	Document Number	Rev 1
Date:	Thursday, July 29, 2010	Sheet 6 of 7



Designer: Carlos Camargo					
Title		SAKC BOARD: Connectors		License Type: CC-BY-SA	
Size	Document Number			Rev	1
Date:	Friday, May 14, 2010		Sheet	7	of 7