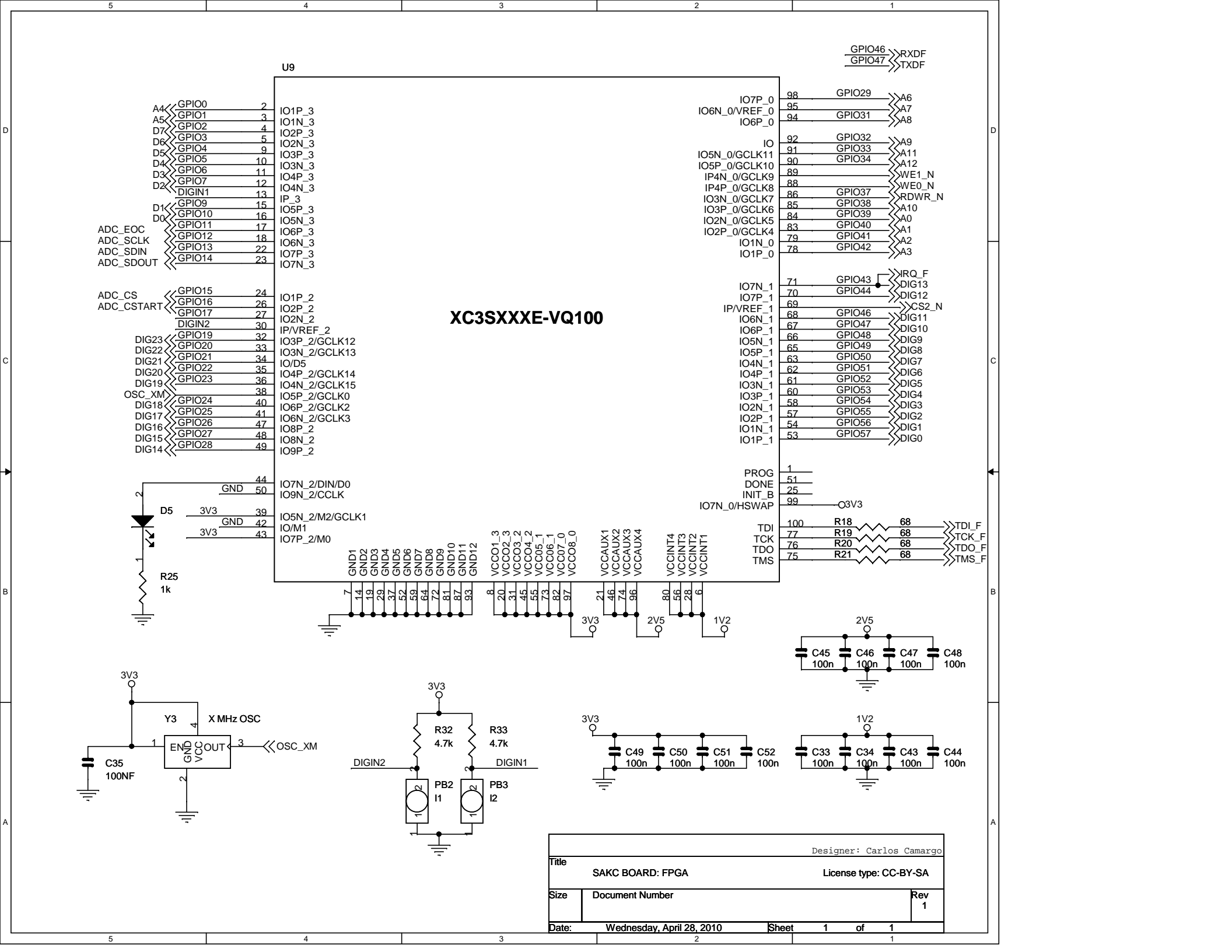


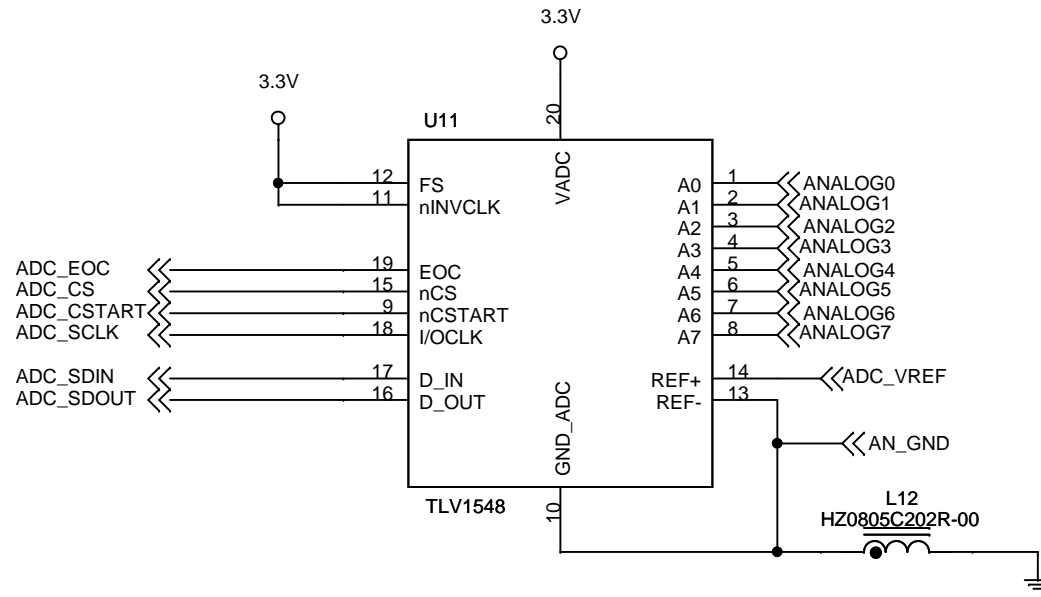
Don't mount R8, C8, C9 if U12 is mounted.
 If U12 is not mounted place a 0 ohm resistor between pin 2 and 3 of U12

| | | |
|--------------------------|--------------------------|------------------------|
| Designer: Carlos Camargo | | |
| Title | SAKC BOARD: CPU | License type: CC-BY-SA |
| Size | Document Number | Rev 1 |
| Date: | Saturday, April 17, 2010 | Sheet 1 of 7 |

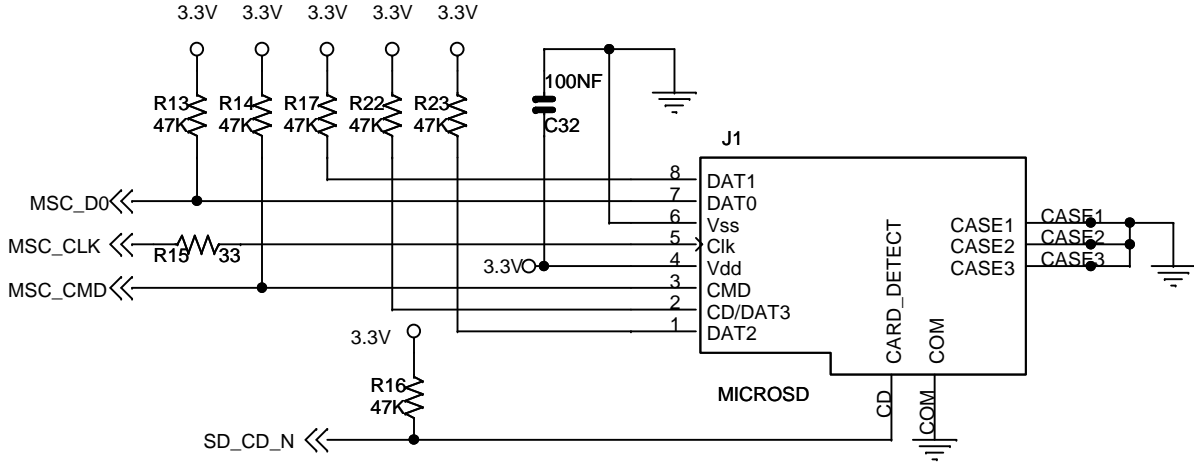
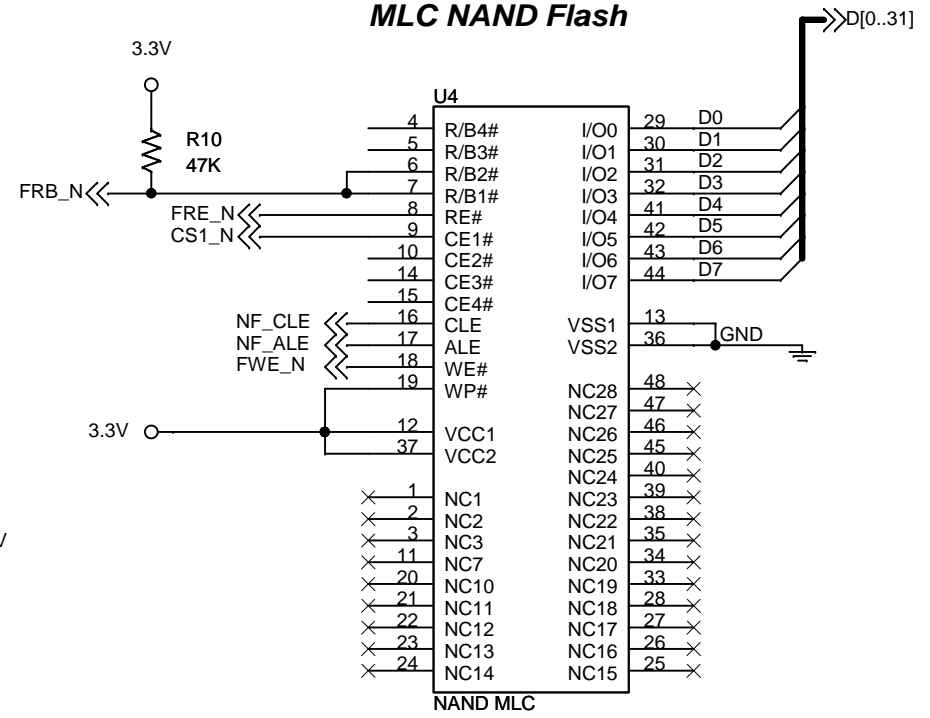
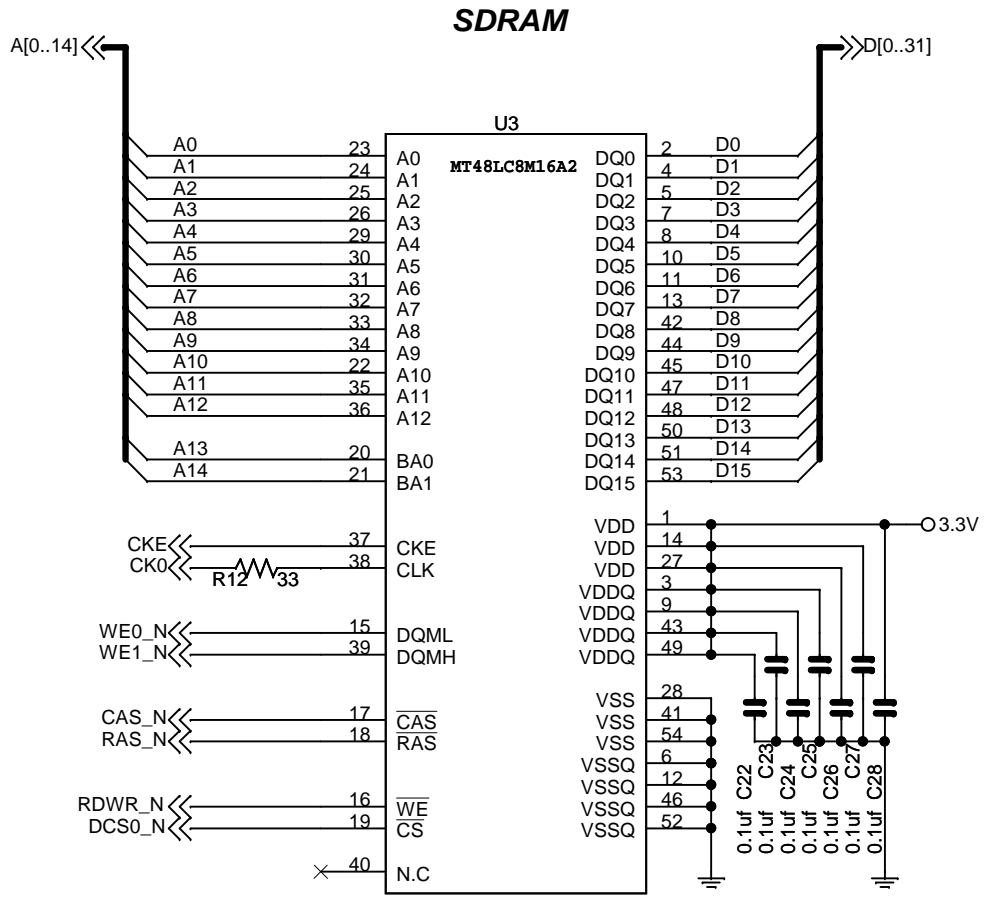


XC3SXXXE-VQ100

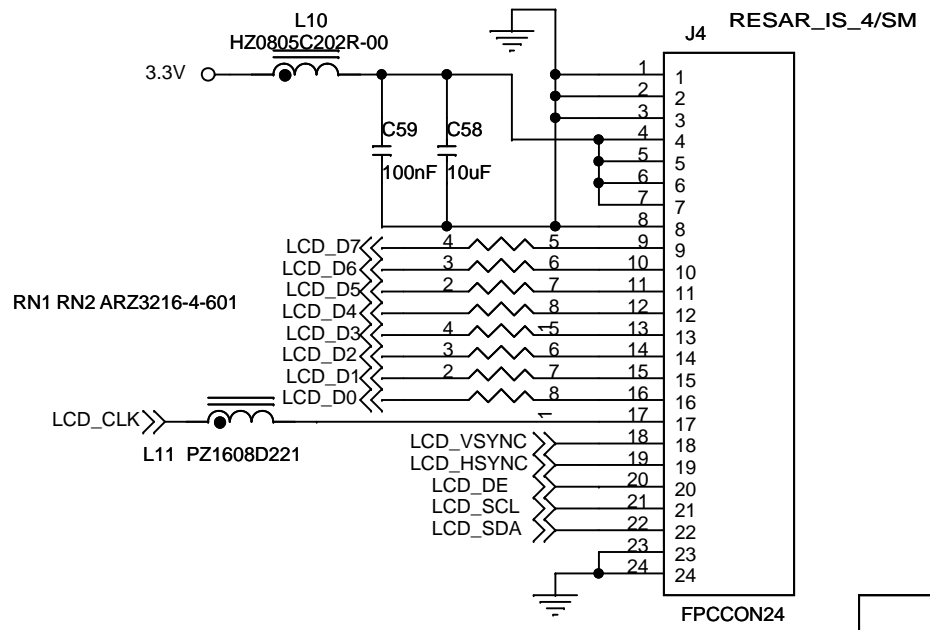
| | | |
|--------------------------|---------------------------|------------------------|
| Designer: Carlos Camargo | | |
| Title | | License type: CC-BY-SA |
| Size | Document Number | Rev 1 |
| Date: | Wednesday, April 28, 2010 | Sheet 1 of 1 |



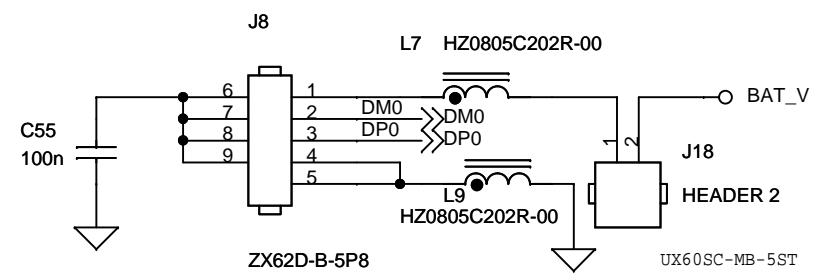
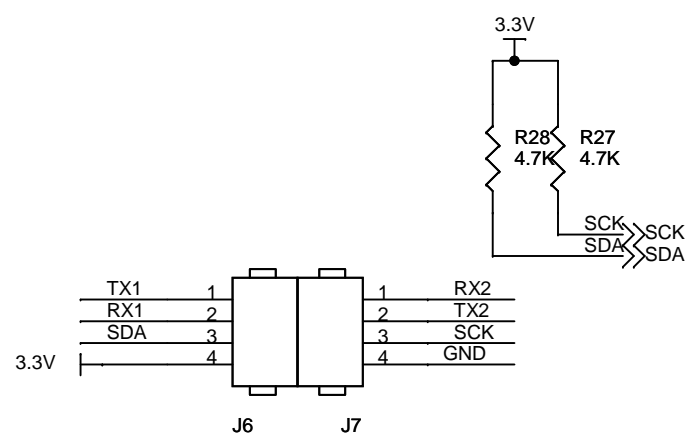
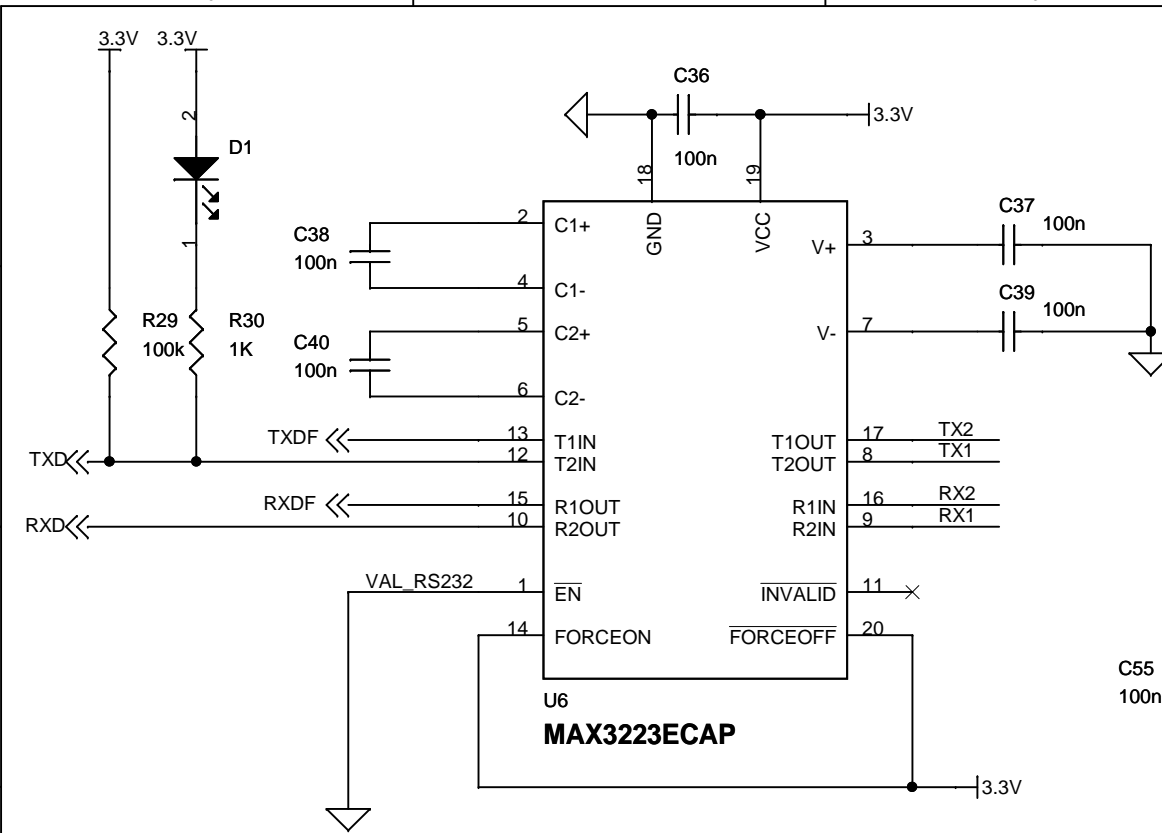
| | | |
|---------------------------|---------------------------|------------------------|
| Designer: Carlos Camargo | | |
| Title | | License Type: CC-BY-SA |
| SAKC BOARD: A/D Converter | | |
| Size | Document Number | Rev 1 |
| Date: | Wednesday, March 17, 2010 | Sheet 1 of 1 |



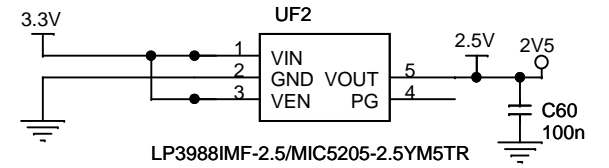
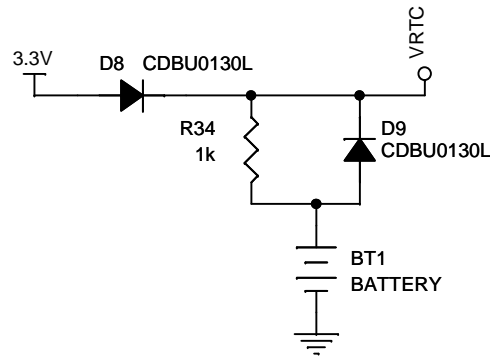
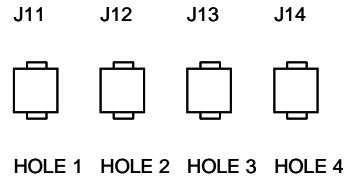
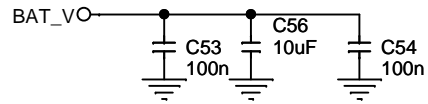
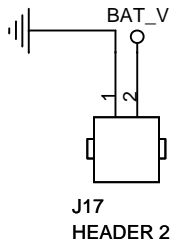
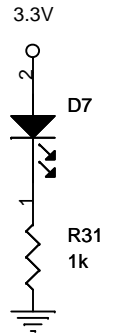
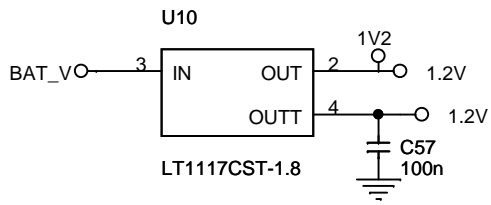
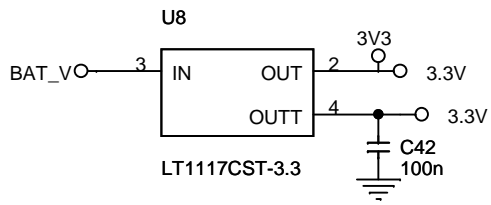
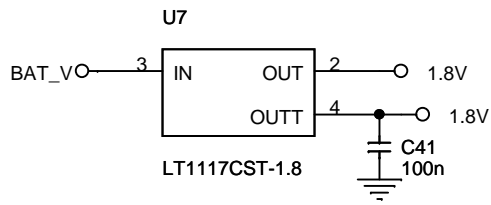
| | | |
|--------------------------|---------------------------|------------------------|
| Designer: Carlos Camargo | | |
| Title | | SAKC BOARD: Memory |
| | | License type: CC-BY-SA |
| Size | Document Number | Rev |
| A | | 1 |
| Date: | Wednesday, March 17, 2010 | Sheet 2 of 7 |



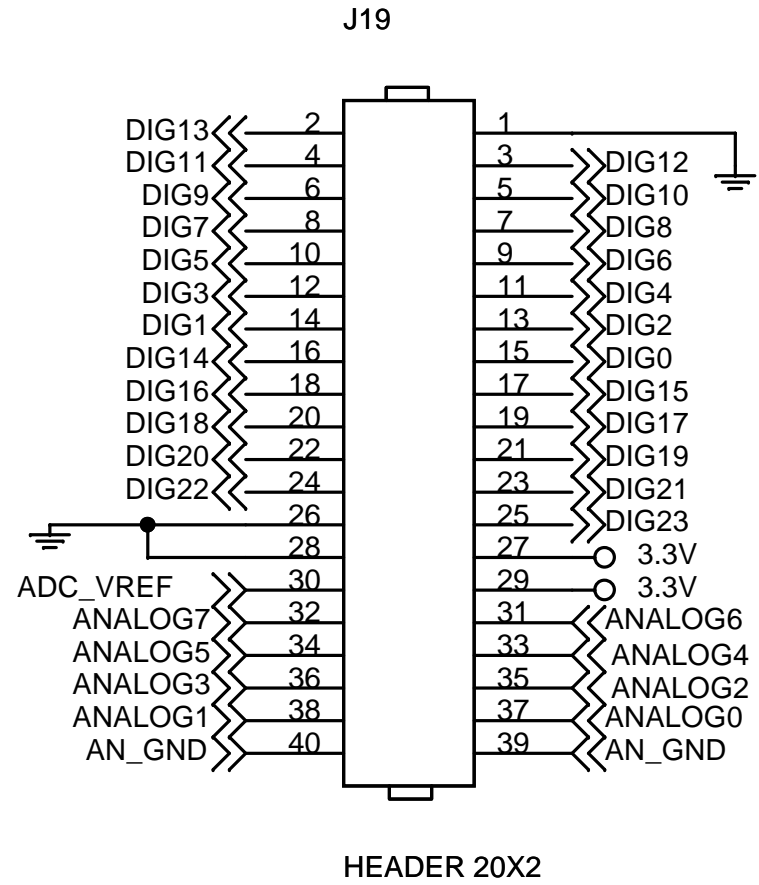
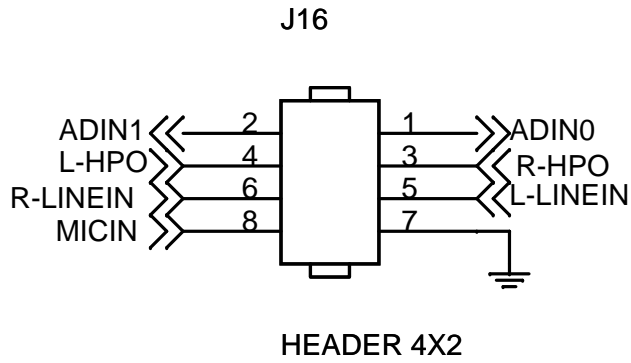
| | | | |
|--------------------------|---------------------------|-----------------|------------------------|
| Designer: Carlos Camargo | | | |
| Title | | SAKC BOARD: LCD | License type: CC-BY-SA |
| Size | Document Number | | Rev 1 |
| Date: | Wednesday, March 17, 2010 | Sheet | 4 of 7 |



| | | |
|--------------------------|---------------------------|------------------------|
| Designer: Carlos Camargo | | |
| Title | | License type: CC-BY-SA |
| SAKC BOARD: UART/USB/I2C | | |
| Size | Document Number | Rev 1 |
| Date: | Wednesday, April 28, 2010 | Sheet 5 of 7 |



| | | |
|--------------------------|--------------------------|------------------------|
| Designer: Carlos Camargo | | |
| Title | | License Type: CC-BY-SA |
| SAKC BOARD: Power Supply | | |
| Size | Document Number | Rev 1 |
| Date: | Saturday, April 17, 2010 | Sheet 6 of 7 |



Designer: Carlos Camargo

Title

SAKC BOARD: Connectors

License Type: CC-BY-SA

Size

Document Number

Rev

1

Date:

Wednesday, March 17, 2010

Sheet

7

of

7