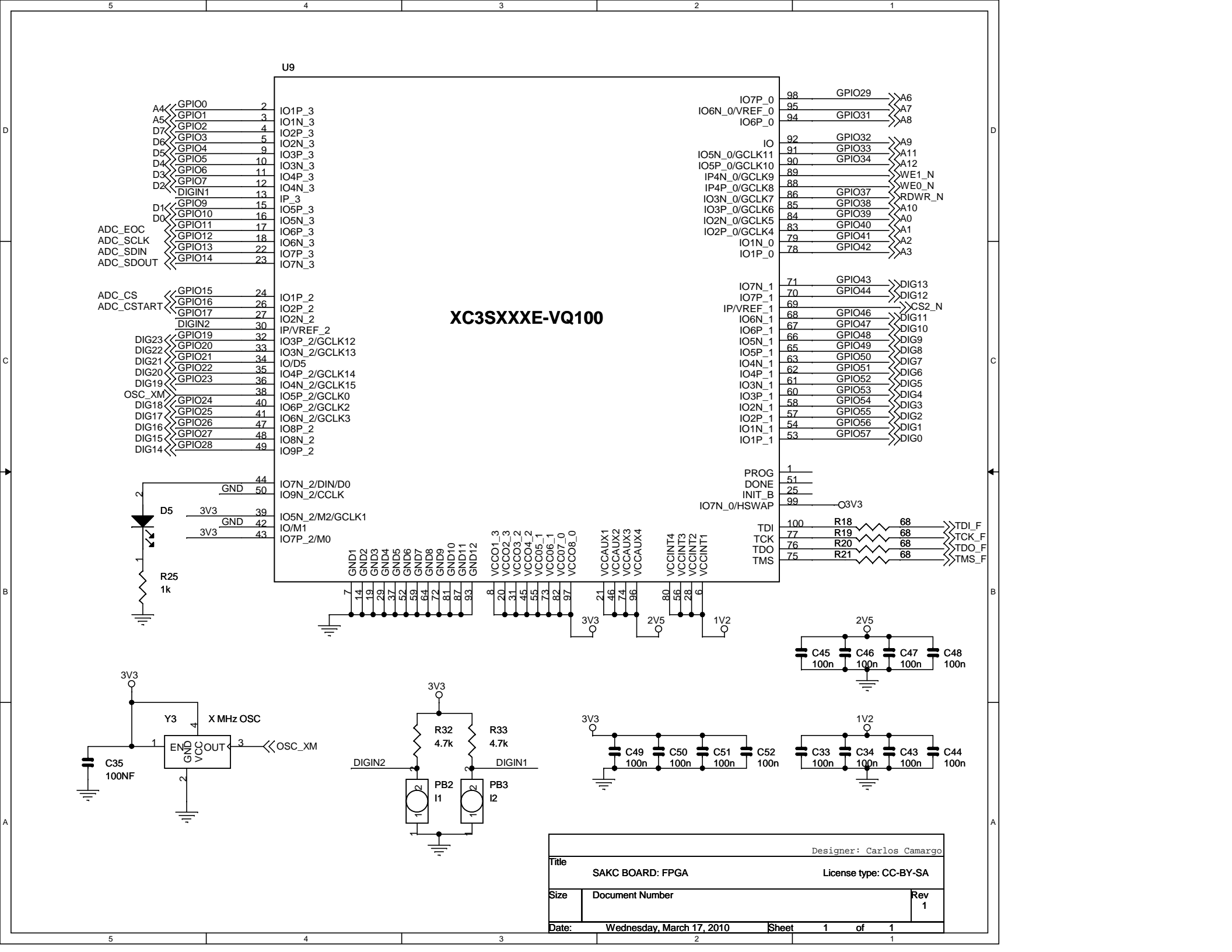


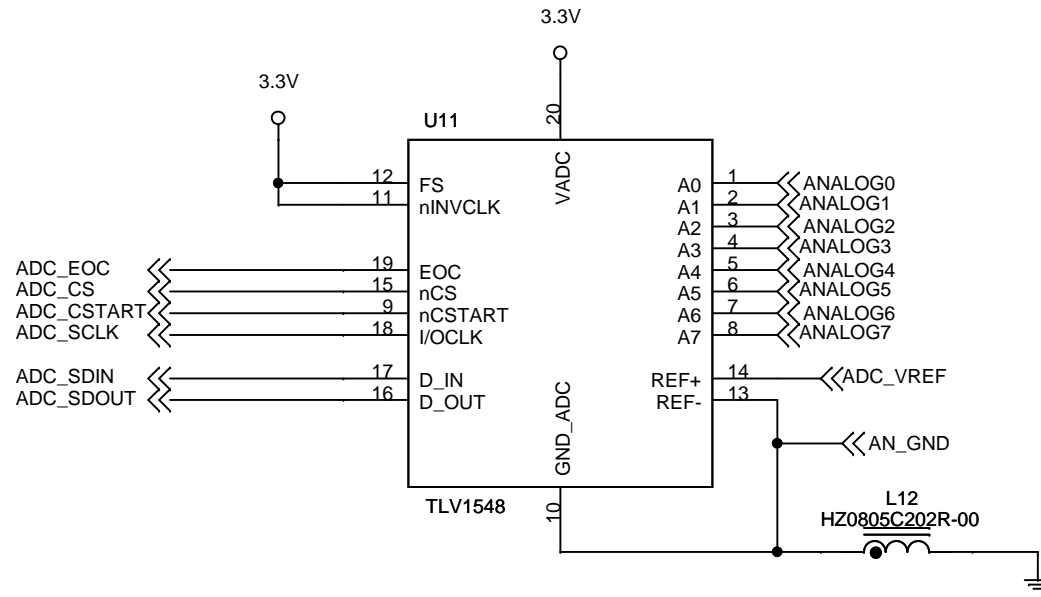
Don't mount R8, C8, C9 if U12 is mounted.  
 If U12 is not mounted place a 0 ohm resistor between pin 2 and 3 of U12

Designer: Carlos Camargo		
Title		SAKC BOARD: CPU
		License type: CC-BY-SA
Size	Document Number	Rev 1
Date:	Wednesday, March 17, 2010	Sheet 1 of 7

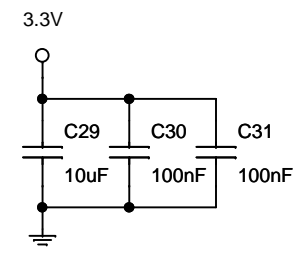
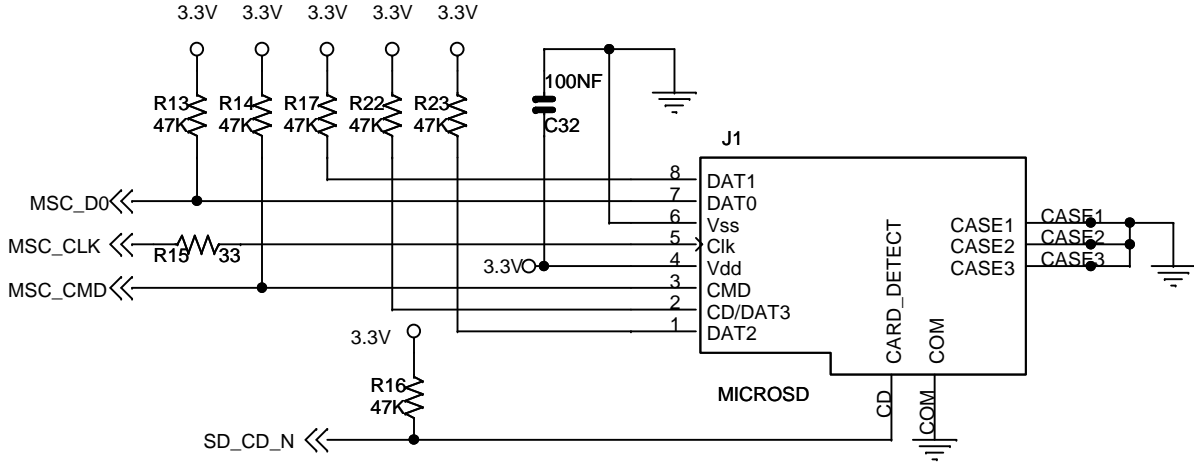
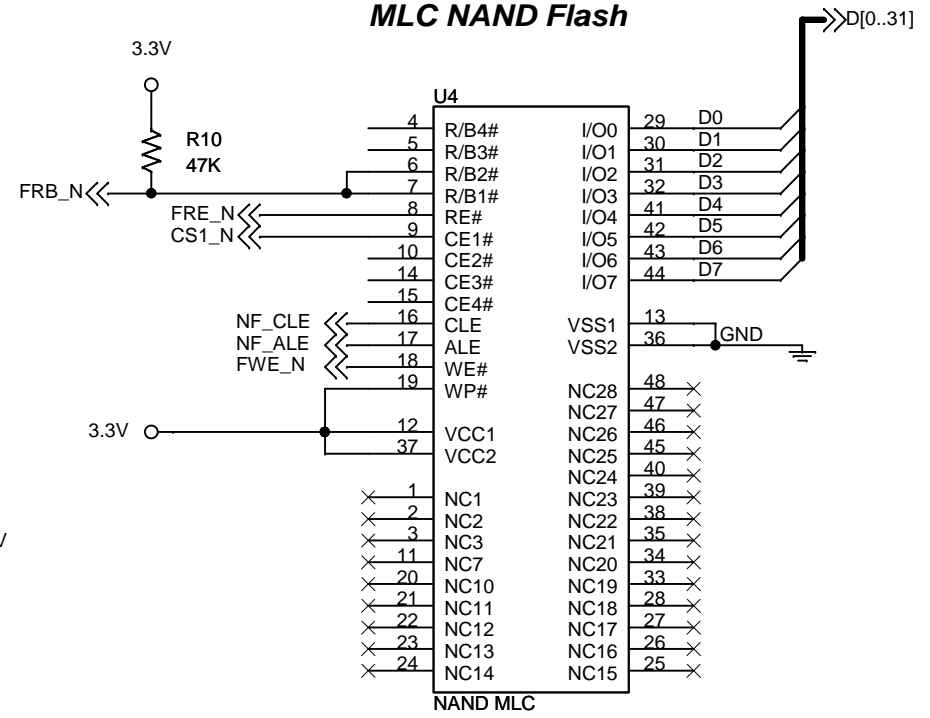
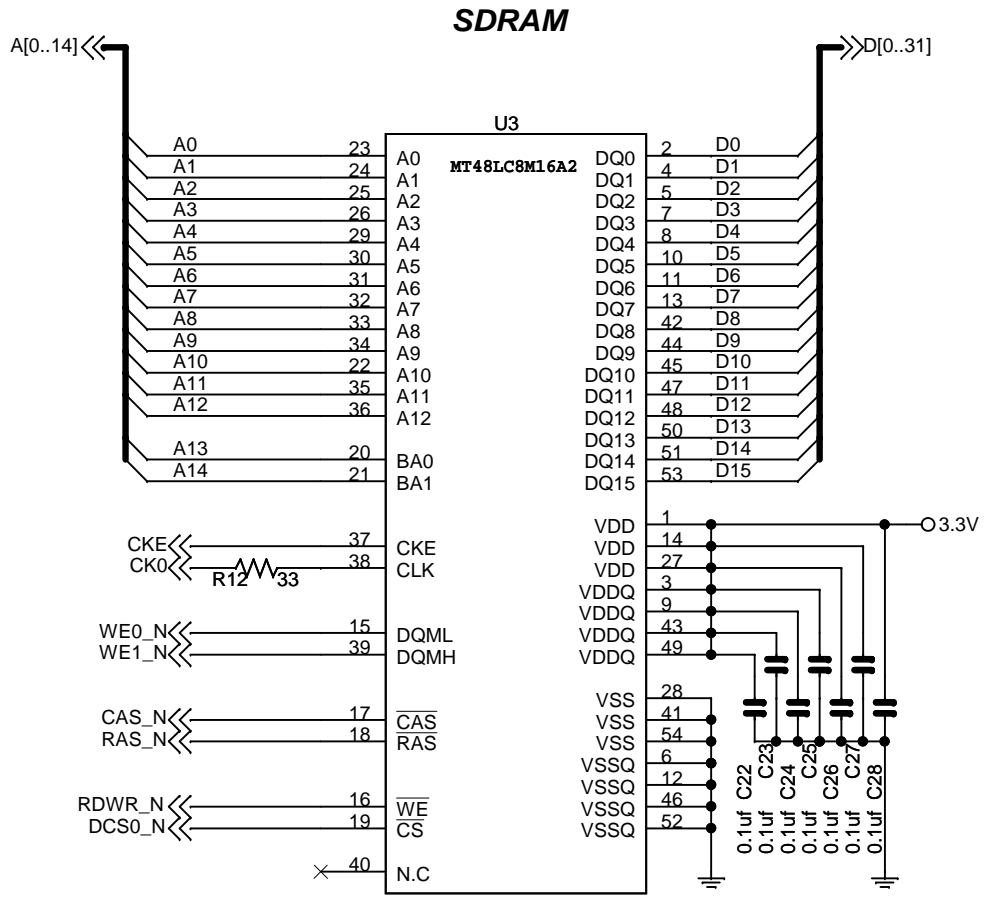


**XC3SXXXE-VQ100**

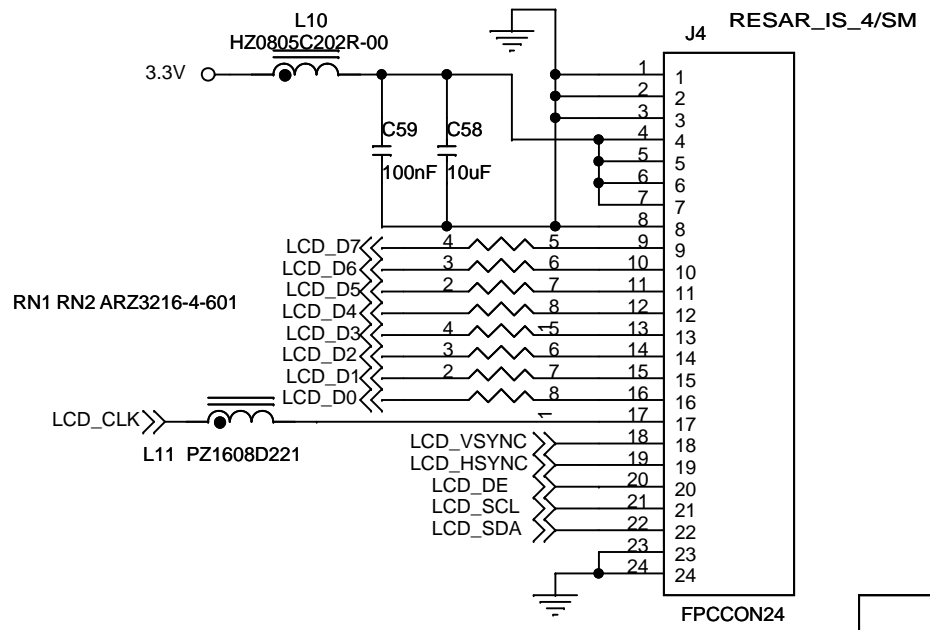
Designer: Carlos Camargo		
Title		License type: CC-BY-SA
Size	Document Number	Rev 1
Date:	Wednesday, March 17, 2010	Sheet 1 of 1



Designer: Carlos Camargo		
Title		License Type: CC-BY-SA
SAKC BOARD: A/D Converter		
Size	Document Number	Rev 1
Date:	Wednesday, March 17, 2010	Sheet 1 of 1

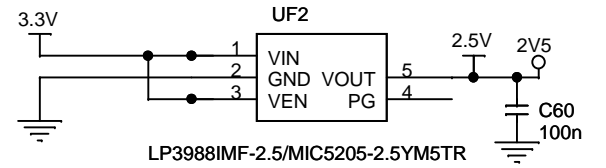
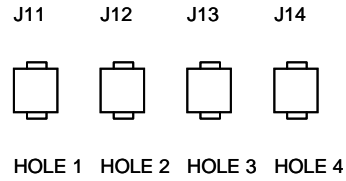
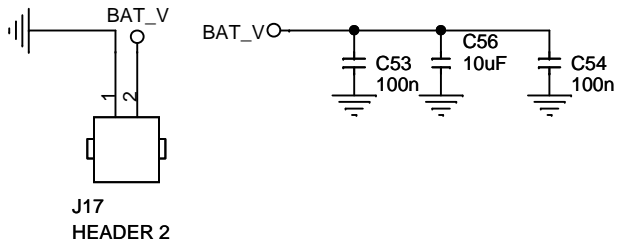
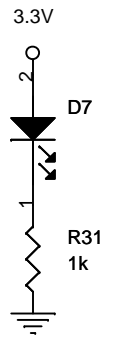
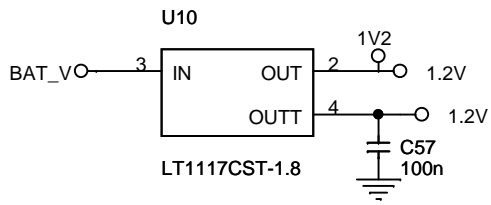
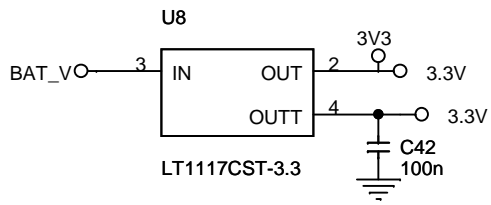
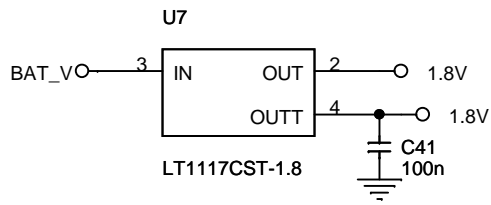


Designer: Carlos Camargo		
Title		SAKC BOARD: Memory
		License type: CC-BY-SA
Size	Document Number	Rev
A		1
Date:	Wednesday, March 17, 2010	Sheet 2 of 7

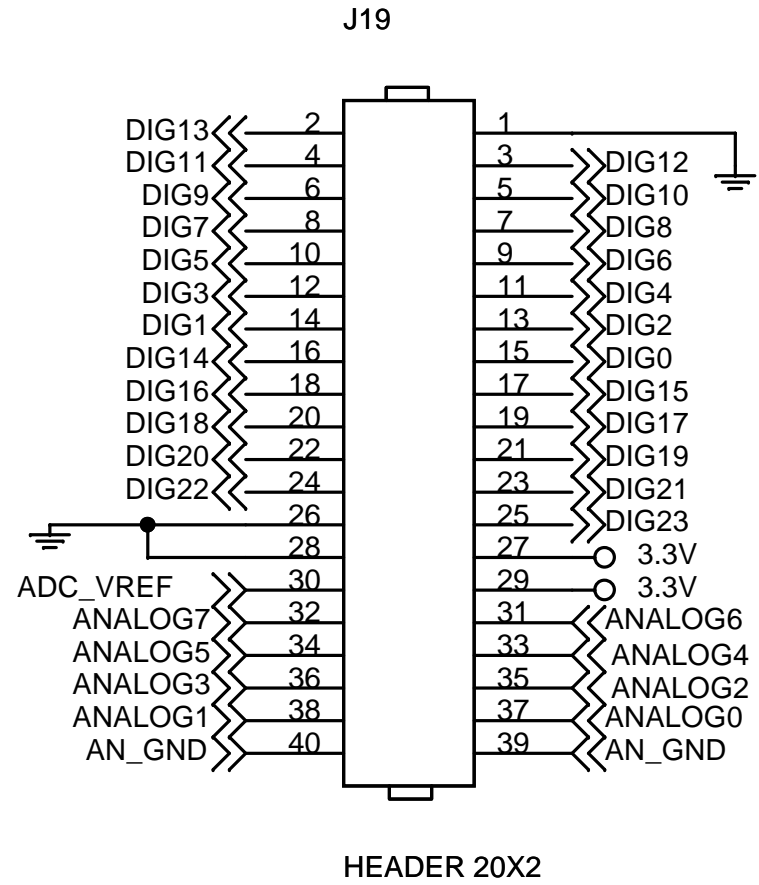
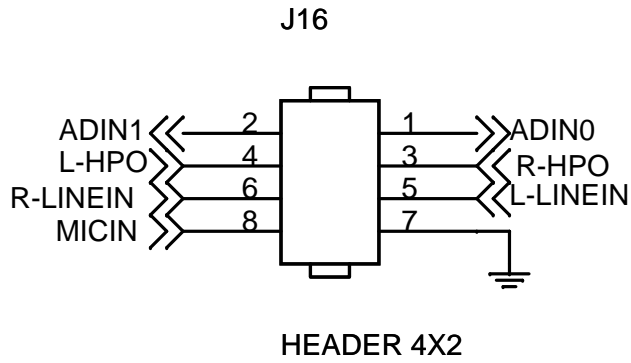


Designer: Carlos Camargo			
Title		SAKC BOARD: LCD	License type: CC-BY-SA
Size	Document Number		Rev 1
Date:	Wednesday, March 17, 2010	Sheet	4 of 7





Designer: Carlos Camargo		
Title		License Type: CC-BY-SA
SAKC BOARD: Power Supply		
Size	Document Number	Rev 1
Date:	Wednesday, March 17, 2010	Sheet 6 of 7



Designer: Carlos Camargo

Title

SAKC BOARD: Connectors

License Type: CC-BY-SA

Size

Document Number

Rev

1

Date:

Wednesday, March 17, 2010

Sheet

7

of

7