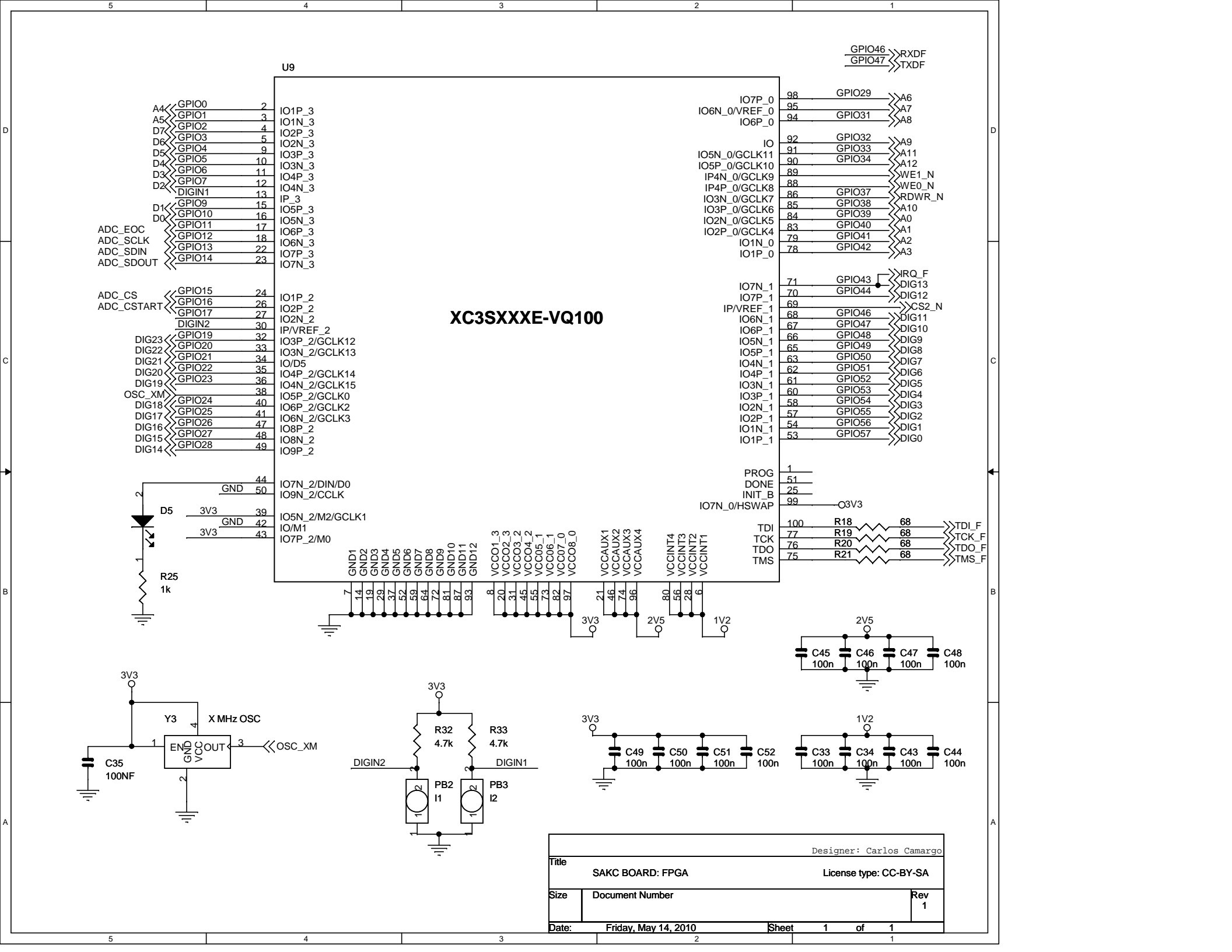


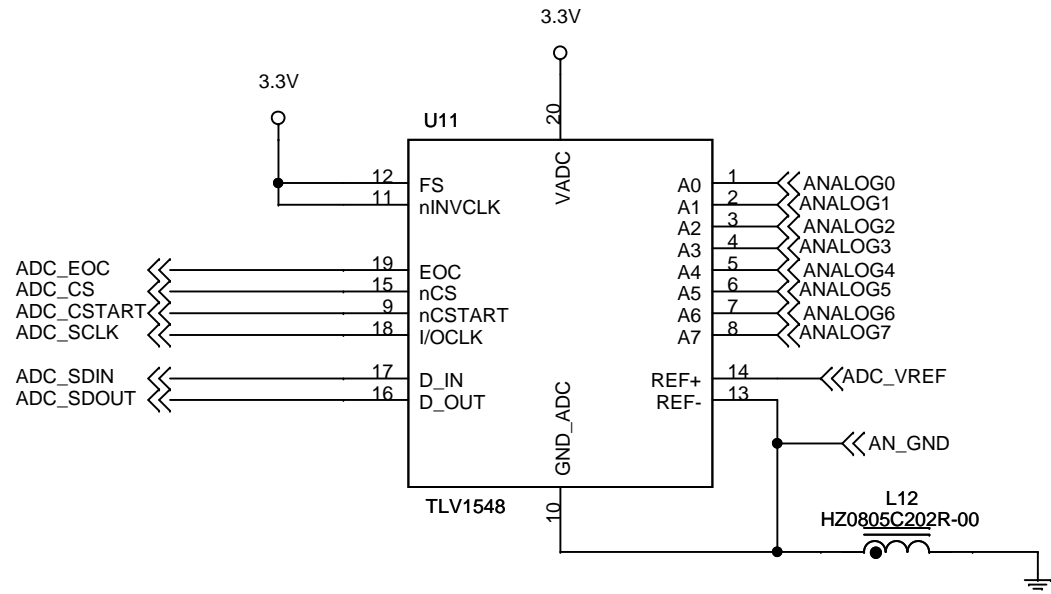
Don't mount R8, C8, C9 if U12 is mounted.
 If U12 is not mounted place a 0 ohm resistor between pin 2 and 3 of U12

Designer: Carlos Camargo		
Title		SAKC BOARD: CPU
		License type: CC-BY-SA
Size	Document Number	Rev 1
Date:	Friday, May 14, 2010	Sheet 1 of 7



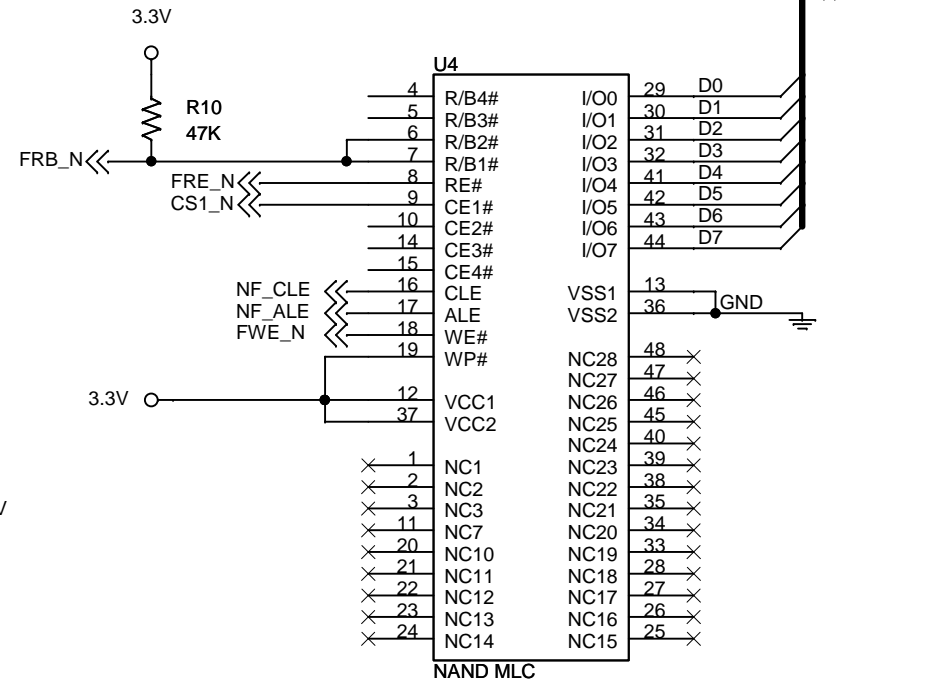
XC3SXXXE-VQ100

Designer: Carlos Camargo		
Title SAKC BOARD: FPGA		License type: CC-BY-SA
Size	Document Number	Rev 1
Date:	Friday, May 14, 2010	Sheet 1 of 1

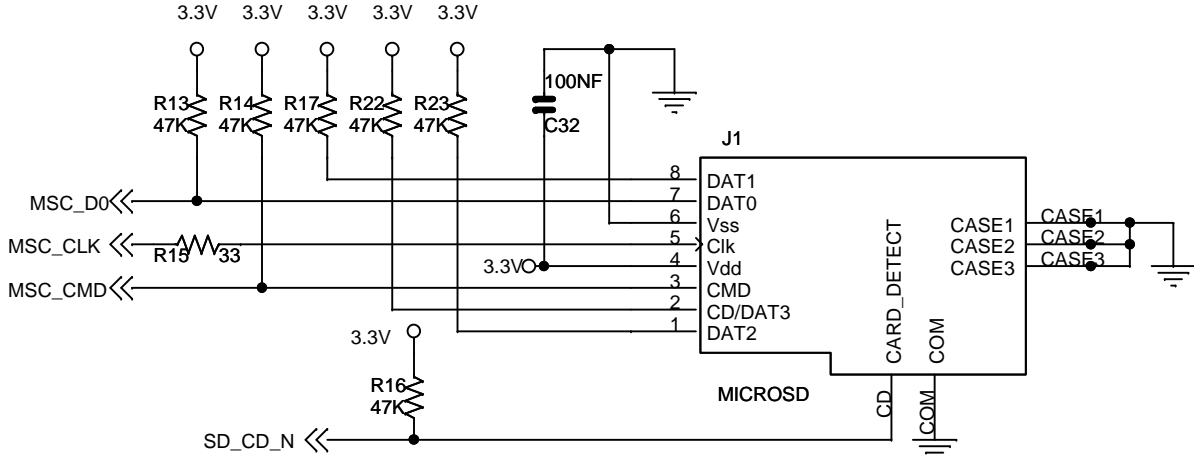
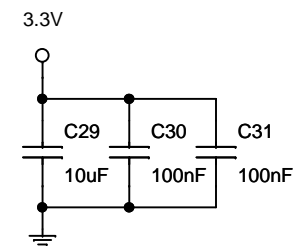
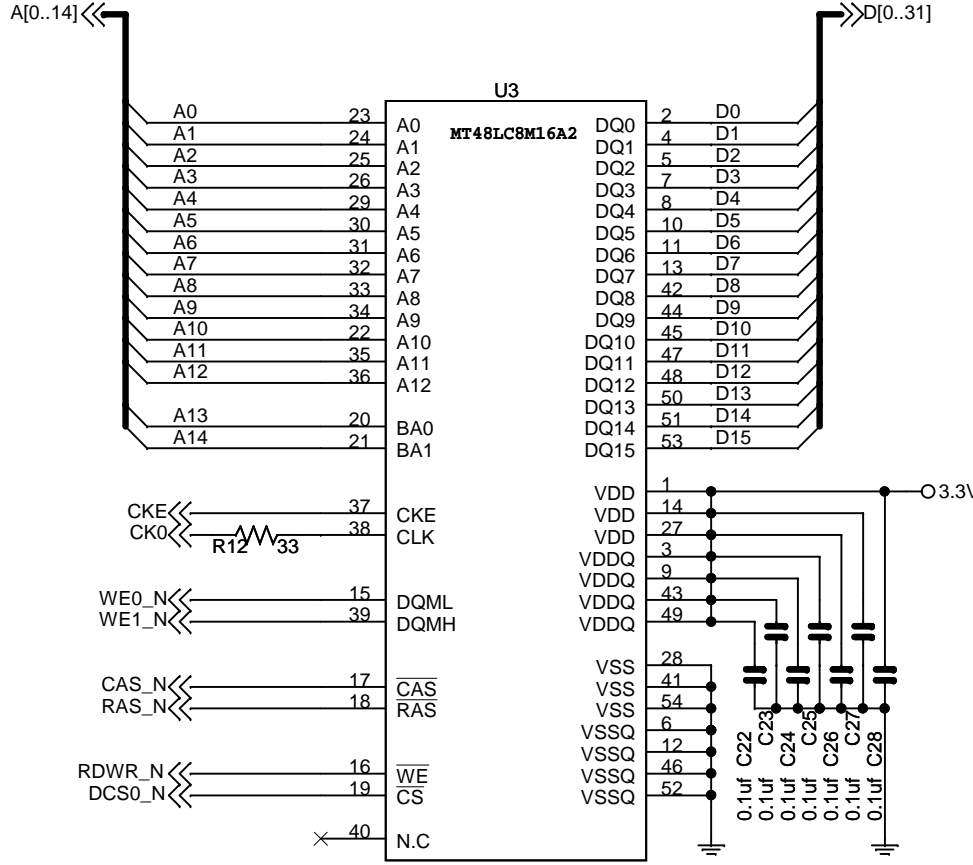


Designer: Carlos Camargo		
Title		License Type: CC-BY-SA
SAKC BOARD: A/D Converter		
Size	Document Number	Rev 1
Date:	Friday, May 14, 2010	Sheet 1 of 1

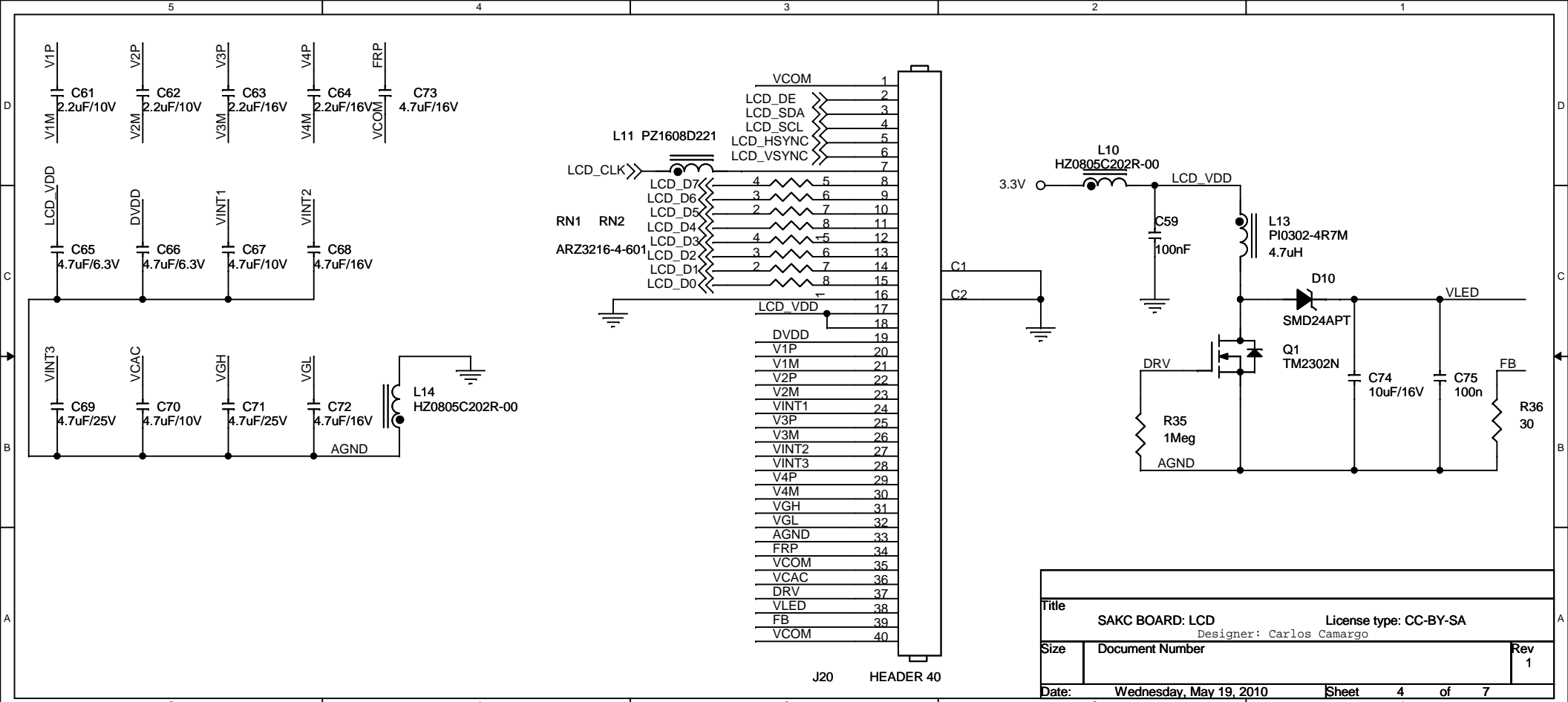
MLC NAND Flash



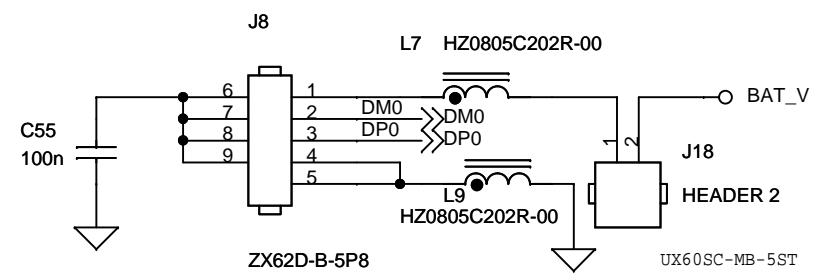
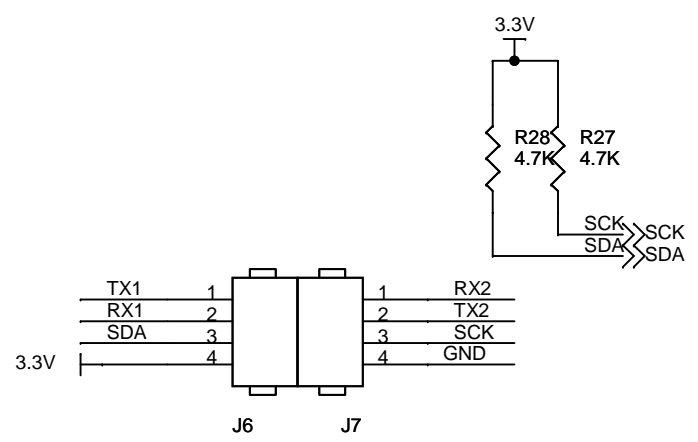
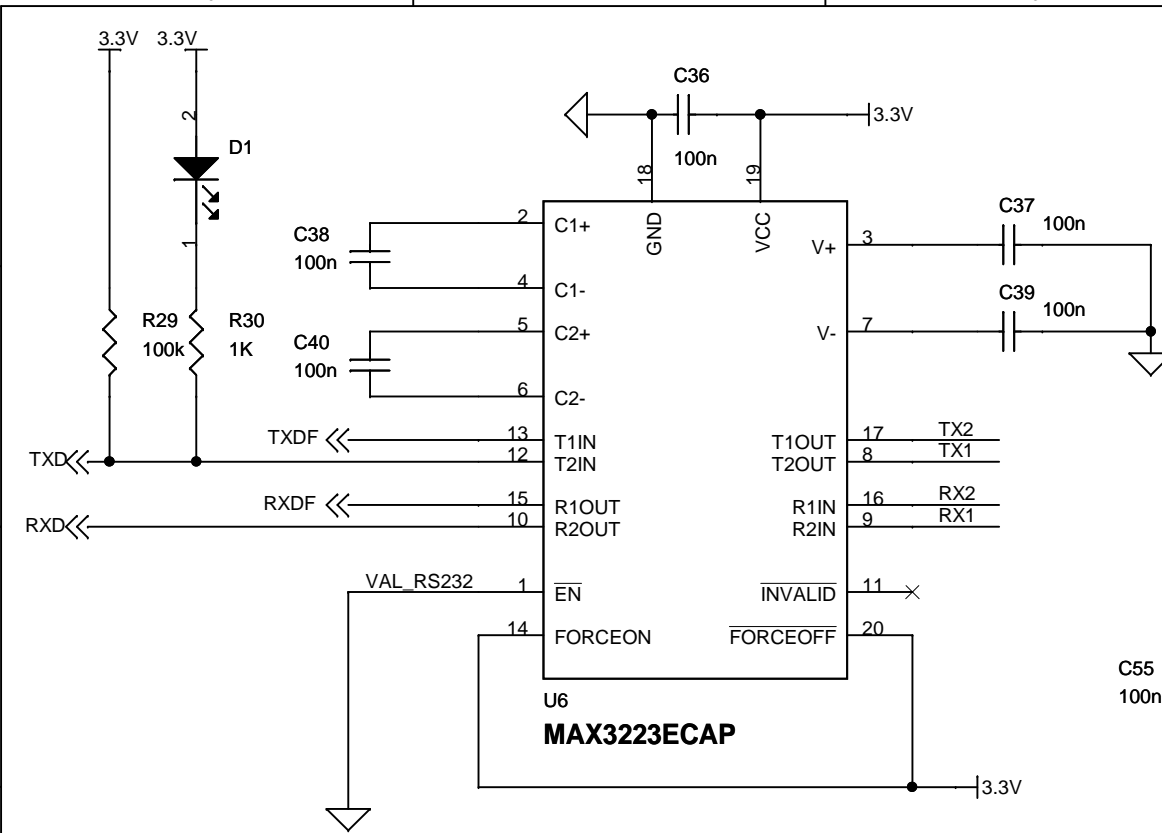
SDRAM



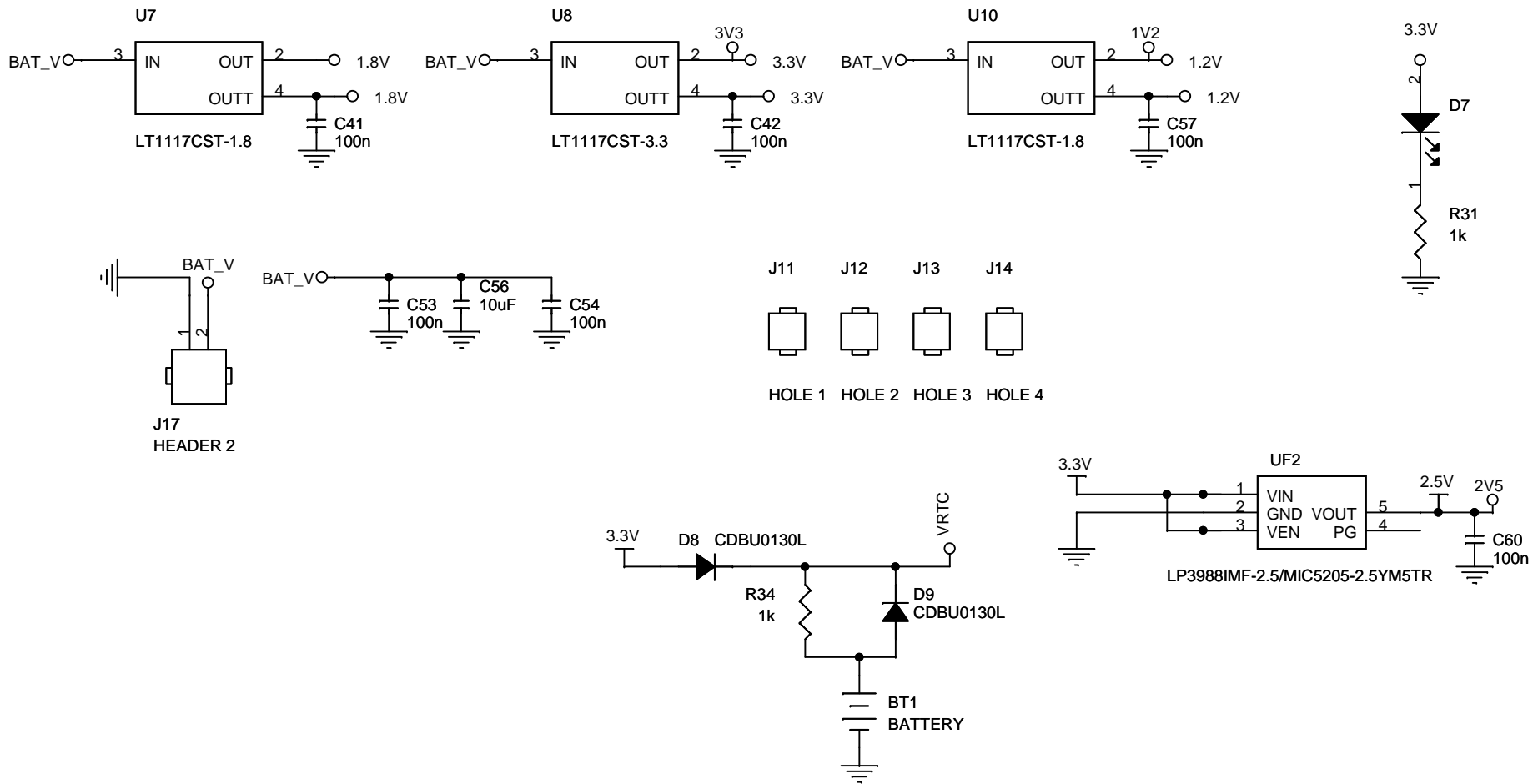
Designer: Carlos Camargo			
Title		SAKC BOARD: Memory	License type: CC-BY-SA
Size A	Document Number	Rev 1	
Date:	Friday, May 14, 2010	Sheet	2 of 7



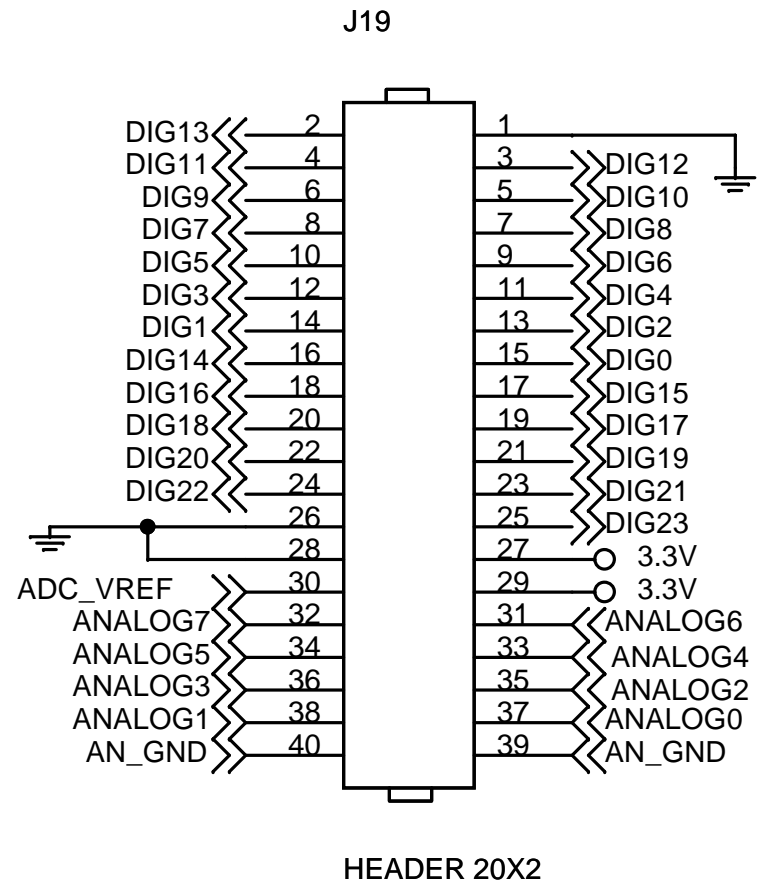
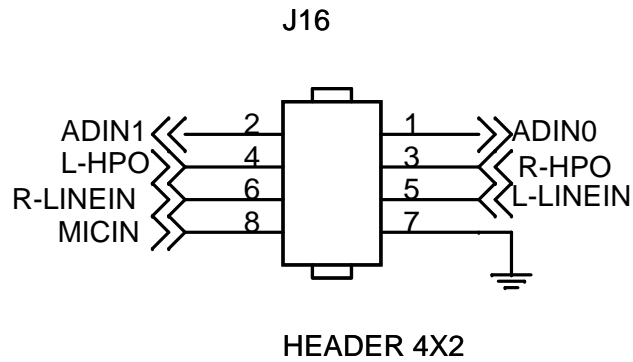
Title		SAKC BOARD: LCD		License type: CC-BY-SA	
Size		Document Number			Rev
Date:		Wednesday, May 19, 2010		Sheet	4 of 7



Designer: Carlos Camargo		
Title		License type: CC-BY-SA
SAKC BOARD: UART/USB/I2C		
Size	Document Number	Rev 1
Date:	Wednesday, April 28, 2010	Sheet 5 of 7



Designer: Carlos Camargo		
Title		License Type: CC-BY-SA
SAKC BOARD: Power Supply		
Size	Document Number	Rev 1
Date:	Friday, May 14, 2010	Sheet 6 of 7



Designer: Carlos Camargo					
Title		SAKC BOARD: Connectors		License Type: CC-BY-SA	
Size	Document Number			Rev	1
Date:	Friday, May 14, 2010		Sheet	7	of 7