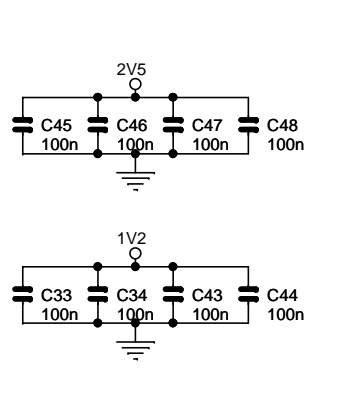
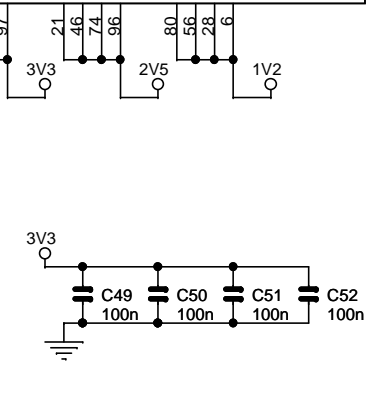
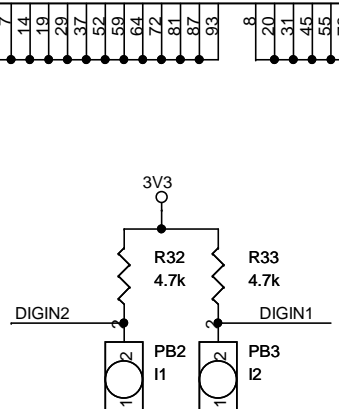
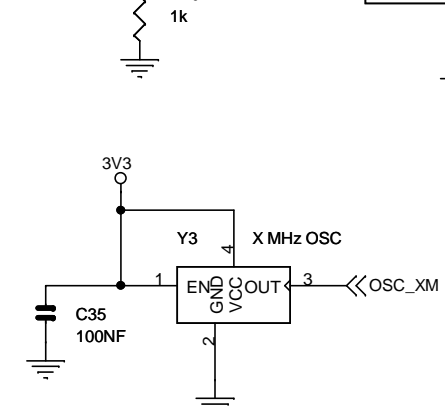
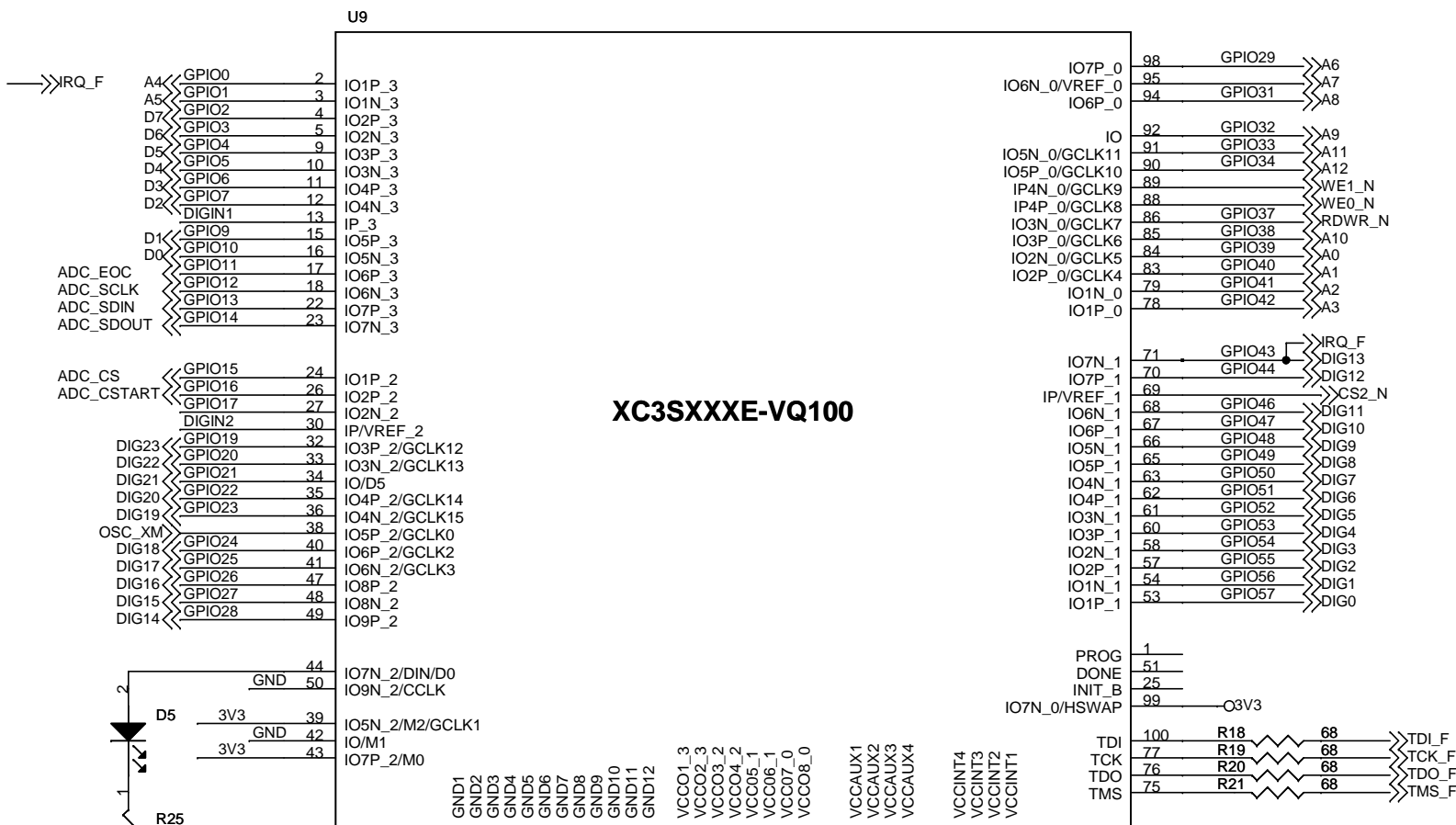
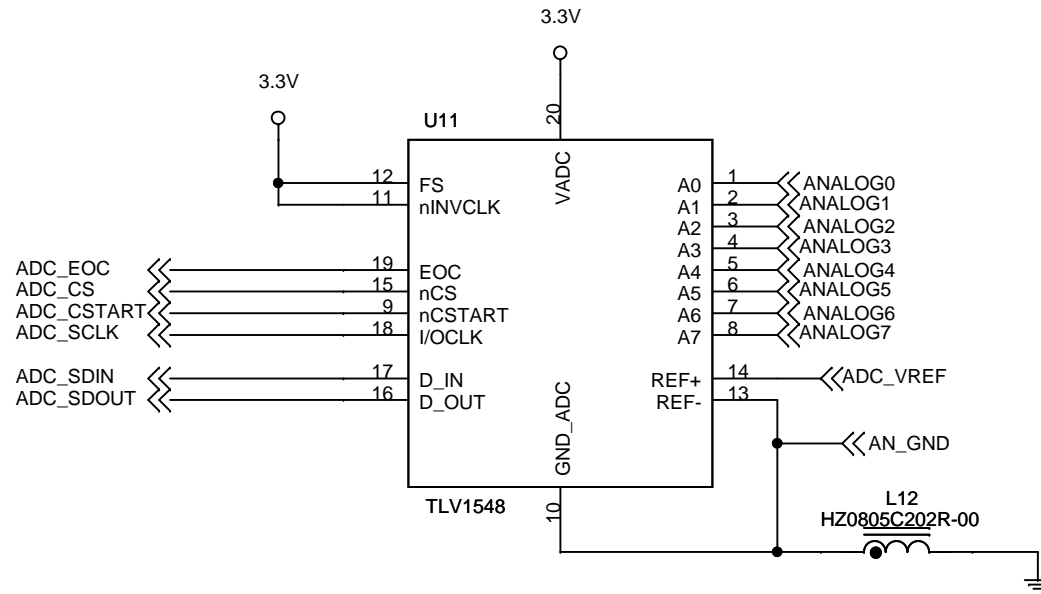


Don't mount R8, C8, C9 if U12 is mounted.
 If U12 is not mounted place a 0 ohm resistor between pin 2 and 3 of U12

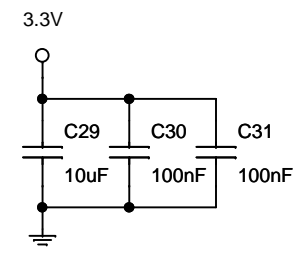
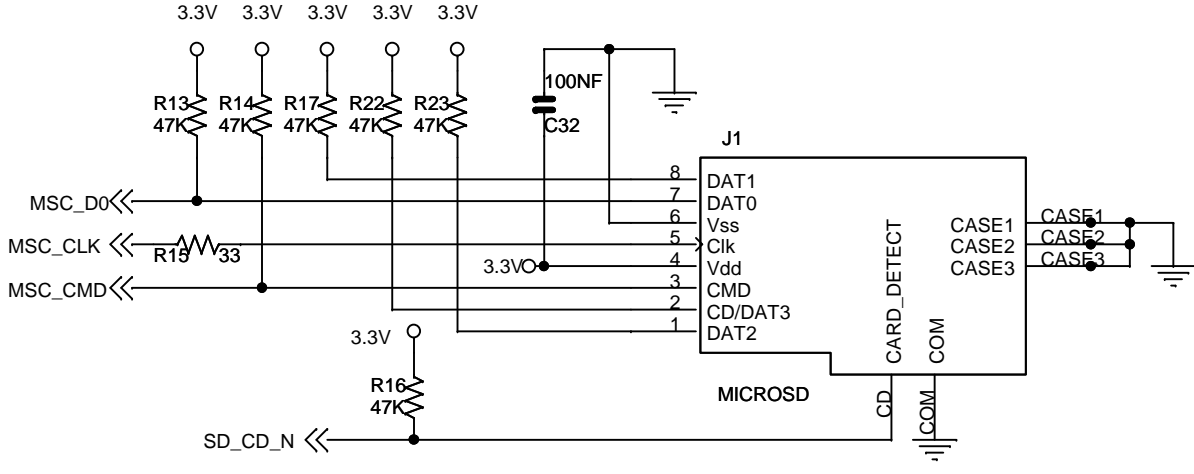
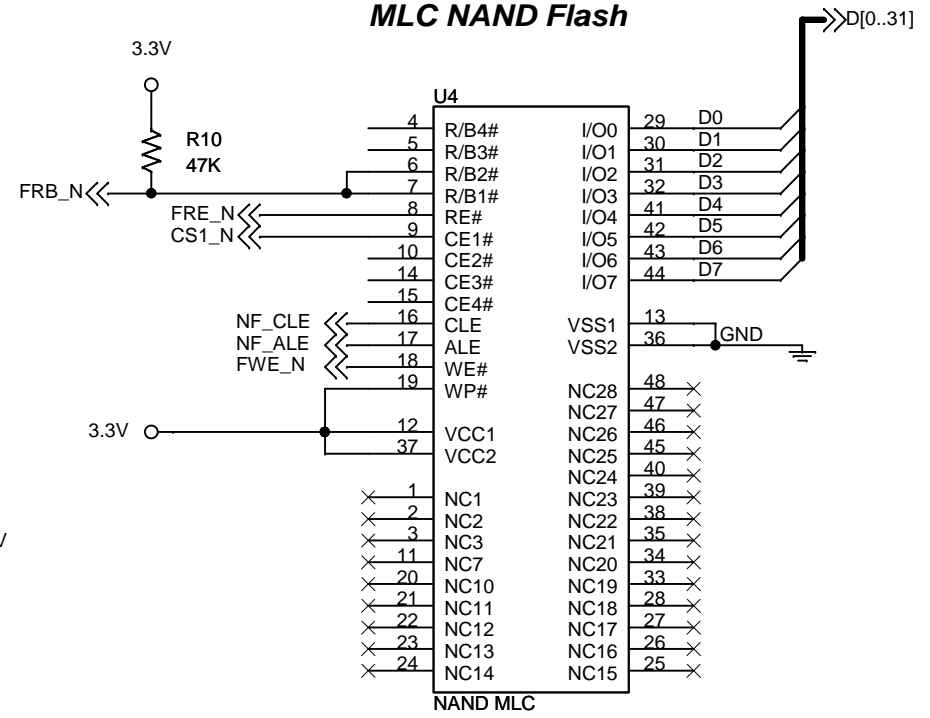
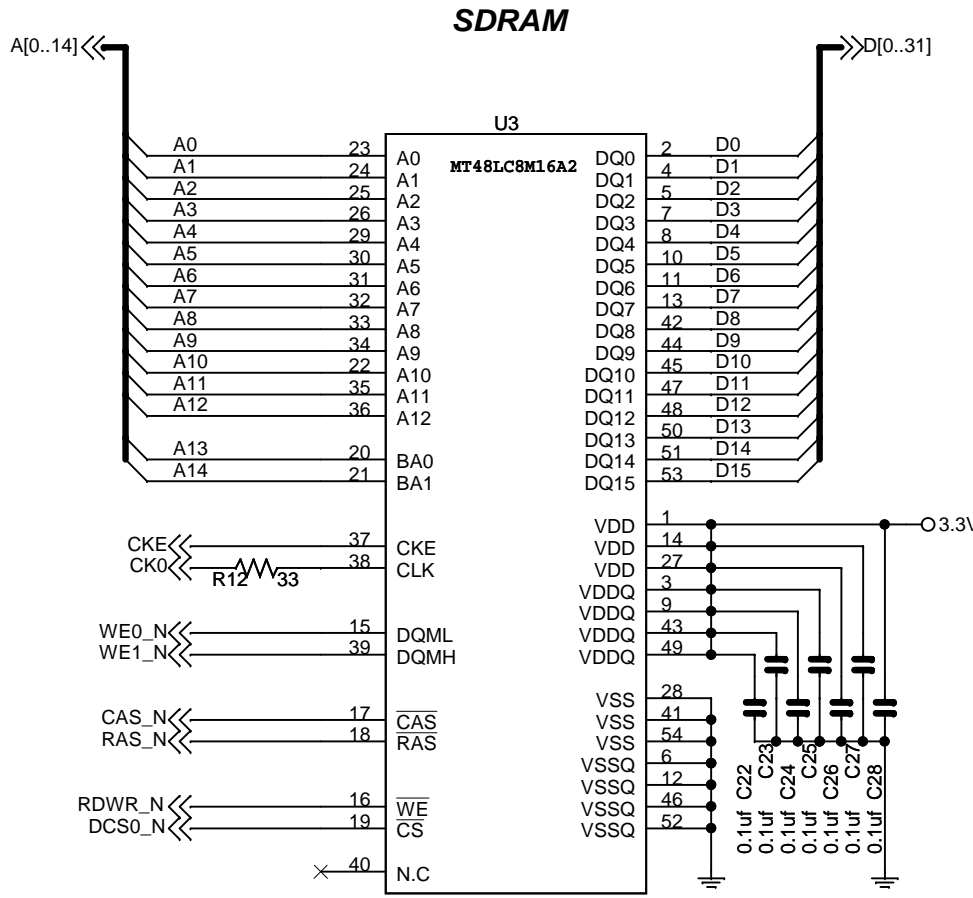
Designer: Carlos Camargo		
Title	SAKC BOARD: CPU	License type: CC-BY-SA
Size	Document Number	Rev 1
Date:	Saturday, April 17, 2010	Sheet 1 of 7



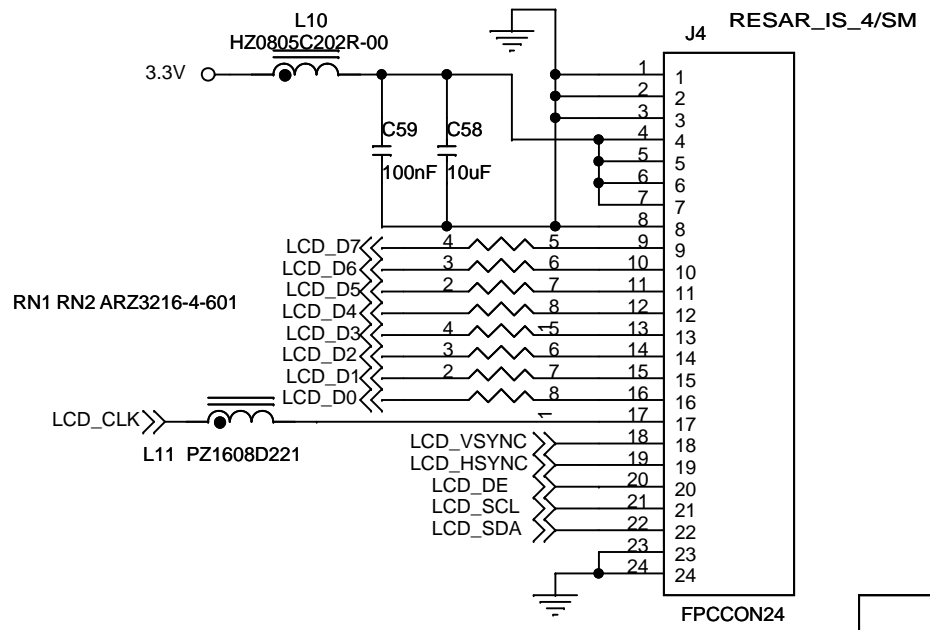
Designer: Carlos Camargo		
Title		License type: CC-BY-SA
Size	Document Number	Rev 1
Date:	Wednesday, March 31, 2010	Sheet 1 of 1



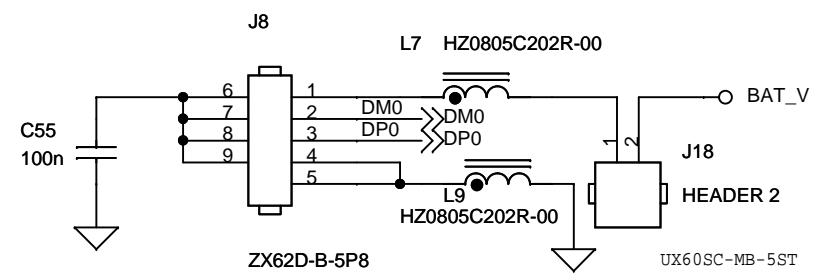
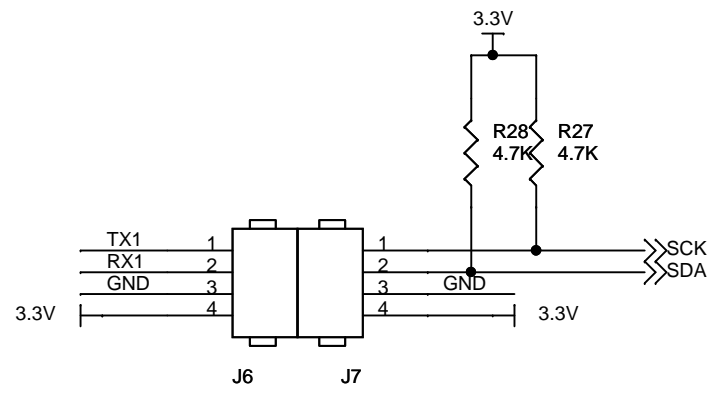
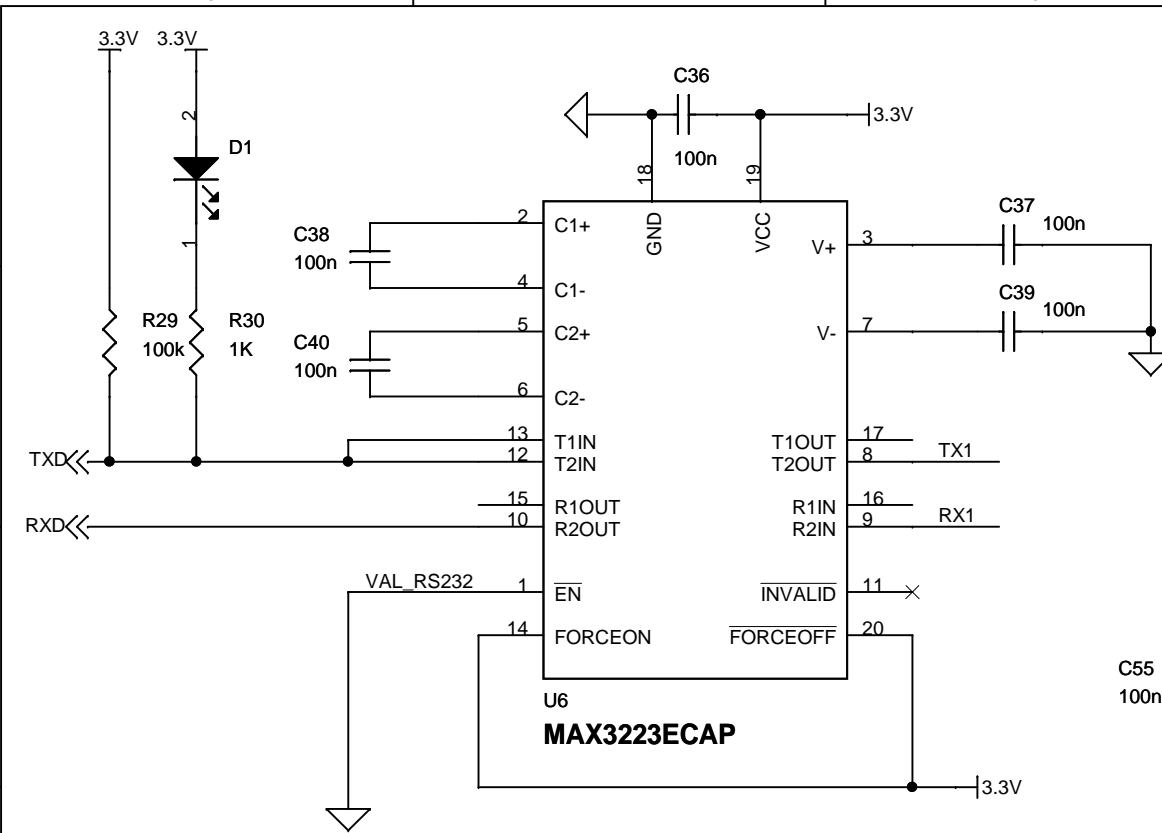
Designer: Carlos Camargo		
Title		License Type: CC-BY-SA
SAKC BOARD: A/D Converter		
Size	Document Number	Rev 1
Date:	Wednesday, March 17, 2010	Sheet 1 of 1



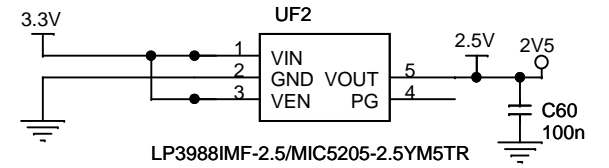
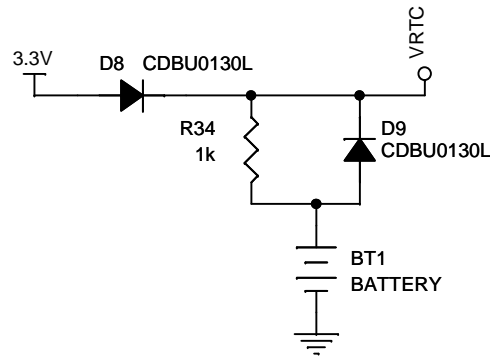
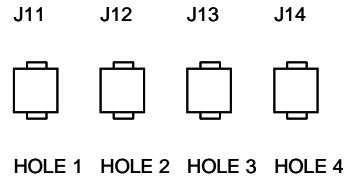
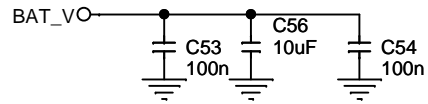
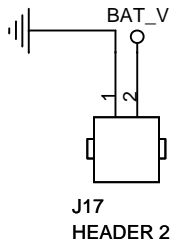
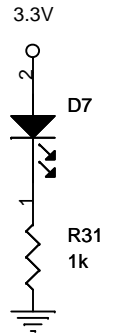
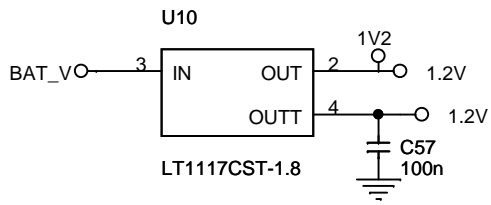
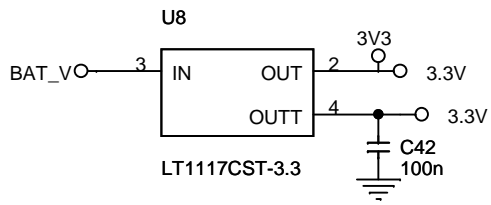
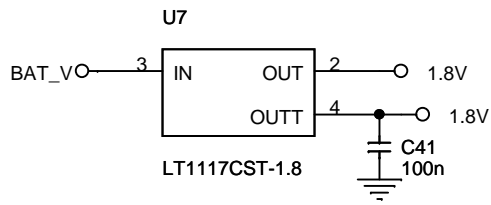
Designer: Carlos Camargo		
Title		License type: CC-BY-SA
Size	Document Number	Rev 1
Date:	Wednesday, March 17, 2010	Sheet 2 of 7



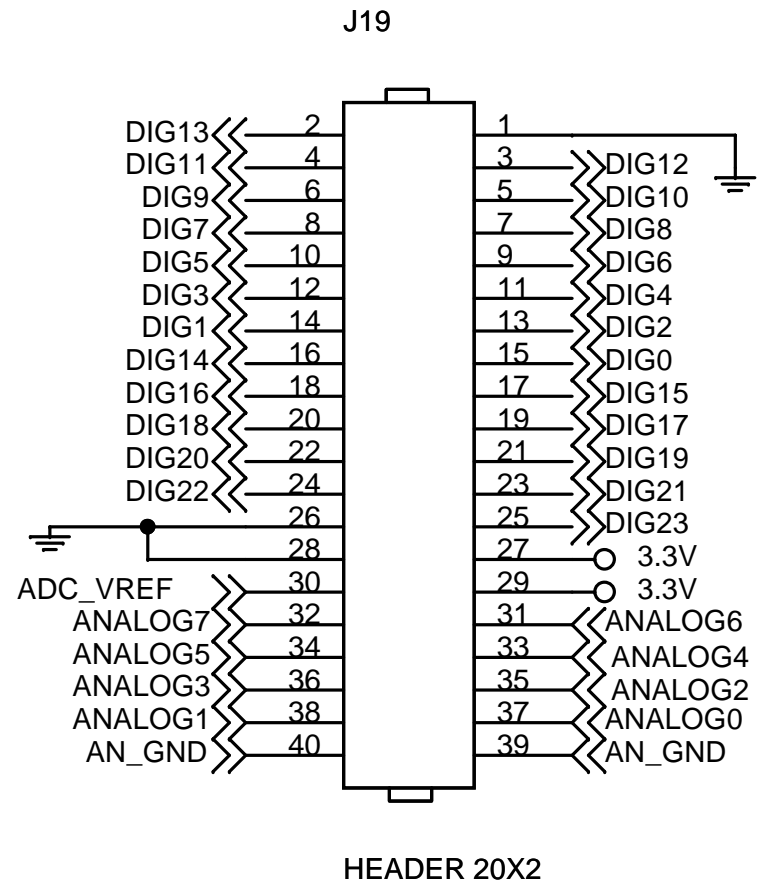
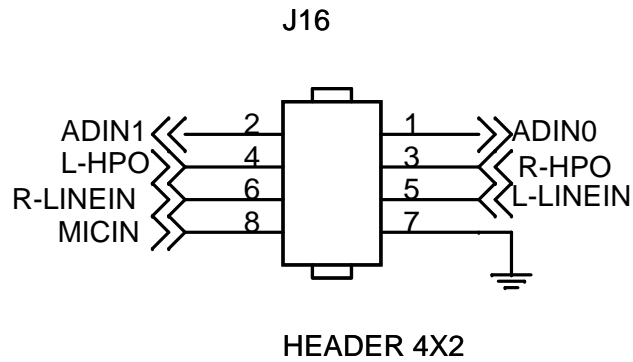
Designer: Carlos Camargo			
Title		SAKC BOARD: LCD	License type: CC-BY-SA
Size	Document Number		Rev 1
Date:	Wednesday, March 17, 2010	Sheet	4 of 7



Designer: Carlos Camargo			
Title		SAKC BOARD: UART/USB/I2C	License type: CC-BY-SA
Size	Document Number		Rev 1
Date:	Wednesday, February 03, 2010	Sheet	5 of 7



Designer: Carlos Camargo		
Title		License Type: CC-BY-SA
SAKC BOARD: Power Supply		
Size	Document Number	Rev 1
Date:	Saturday, April 17, 2010	Sheet 6 of 7



Designer: Carlos Camargo		
Title		License Type: CC-BY-SA
Size	Document Number	Rev 1
Date:	Wednesday, March 17, 2010	Sheet 7 of 7